

2-Light Vanity

Part Number

B17012-CH

Project _____

Date _____

Type _____

Location _____

Product Specifications

Description	This sleek 2-light vanity offers a contemporary style to complement any bathroom décor.
Finish	Chrome
Shade	White Opal Glass
Dimensions	14"Width x 7-3/4"Height x 5-3/4"Extension
Lamps	2 x LED A19 (E26 Medium Base) INCLUDED
Certifications	cETLus Listed CSA Certified Suitable for Damp Location
Features	120V 60Hz Used Wall mount (hardware included) Can be installed in upward or downward position



2-Light Vanity

Part Number

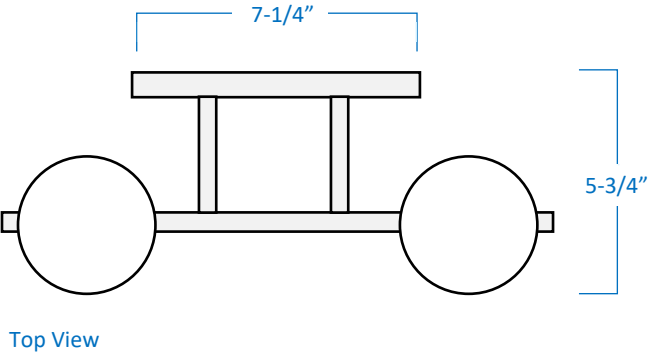
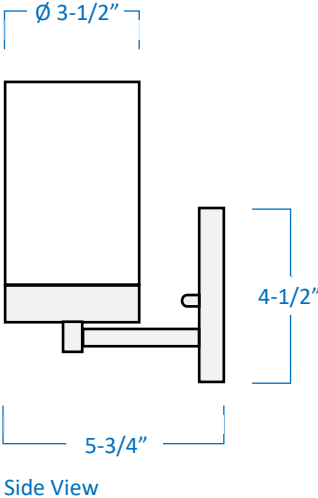
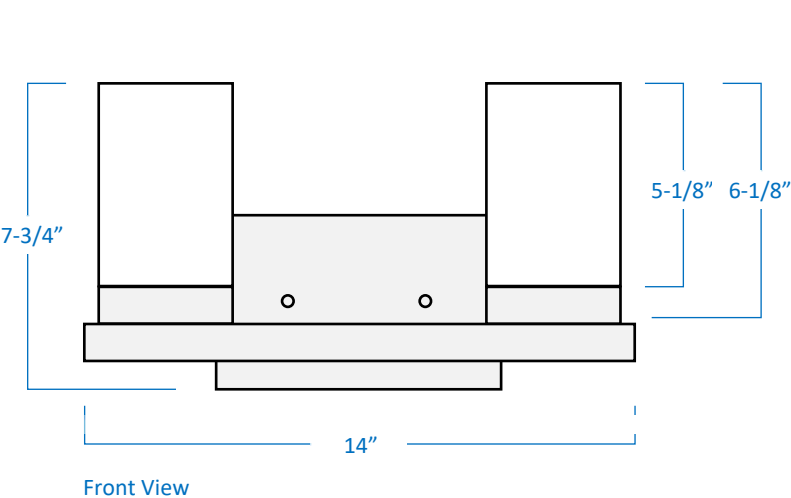
B17012-CH

Project _____

Date _____

Type _____

Location _____



GTA Office: 151 Aviva Park Drive, Woodbridge
Ottawa Office: 200 Iber Road, Unit 5, Stittsville

Tel: 905-669-1230
Tel: 613-836-1977

www.sanremolighting.com
© All rights reserved