

# 3-Light Semi-Flush Mount

Part Number

**A58043-BN**

Project \_\_\_\_\_

Date \_\_\_\_\_

Type \_\_\_\_\_

Location \_\_\_\_\_

## Product Specifications

Description	L'Aquila Collection: This semi-flush mount's refined design provides a sophisticated accent to any contemporary home décor.
Finish	Brushed Nickel
Shade	White opal glass with clear rim
Dimensions	14" Diameter x 10-1/4" Height
Lamps	3 x LED A19 (E26 Medium Base) not Included
Certifications	cULus Listed   CSA Certified
Features	120V   60Hz Ceiling mount only (hardware included)



**NO GLASS ASSEMBLY REQUIRED**



GTA Office: 151 Aviva Park Drive, Woodbridge  
Ottawa Office: 200 Iber Road, Unit 5, Stittsville

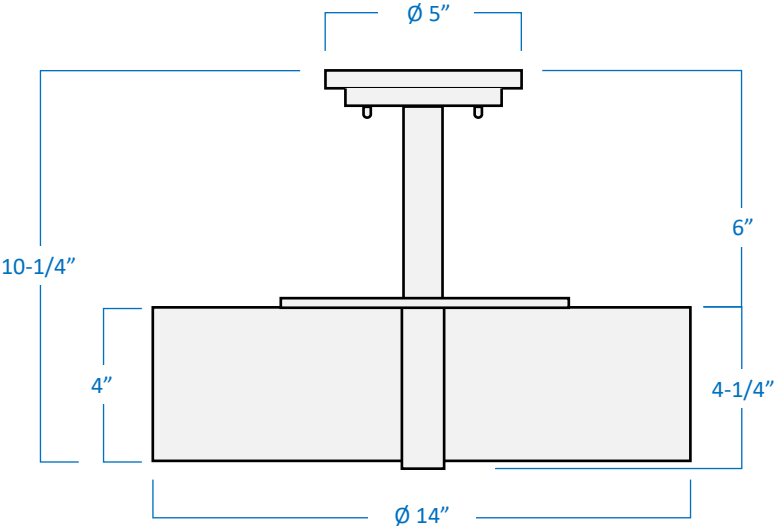
Tel: 905-669-1230  
Tel: 613-836-1977

[www.sanremolighting.com](http://www.sanremolighting.com)  
© All rights reserved

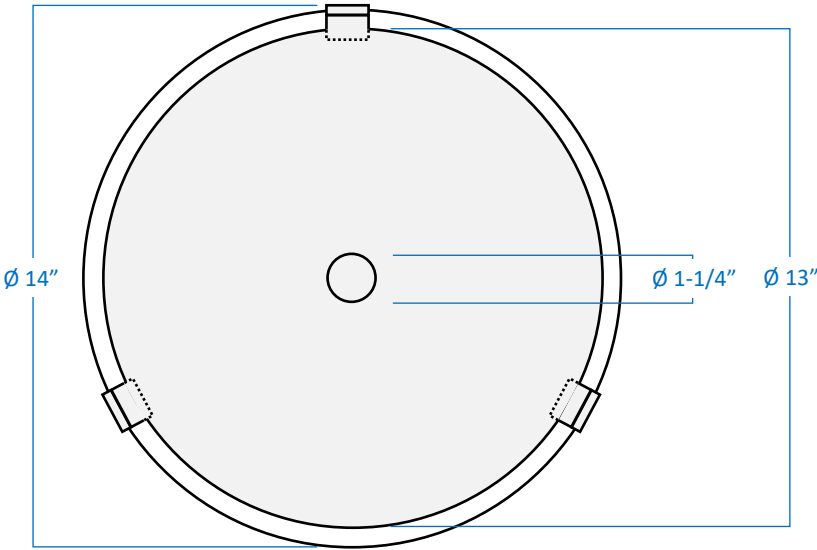
# 3-Light Semi-Flush Mount

Part Number

**A58043-BN**



Side View



Bottom View



GTA Office: 151 Aviva Park Drive, Woodbridge  
Ottawa Office: 200 Iber Road, Unit 5, Stittsville

Tel: 905-669-1230  
Tel: 613-836-1977

www.sanremolighting.com  
© All rights reserved