

# Doorjamb Switch

Part Number

**DJS001**

Project \_\_\_\_\_

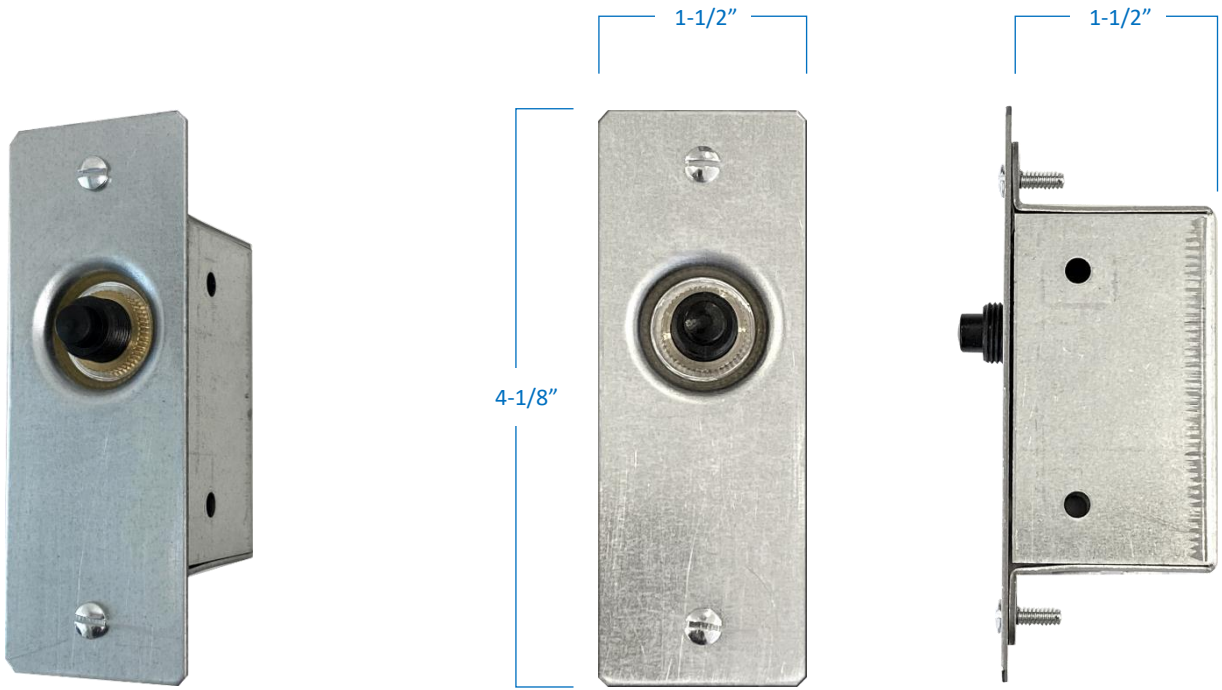
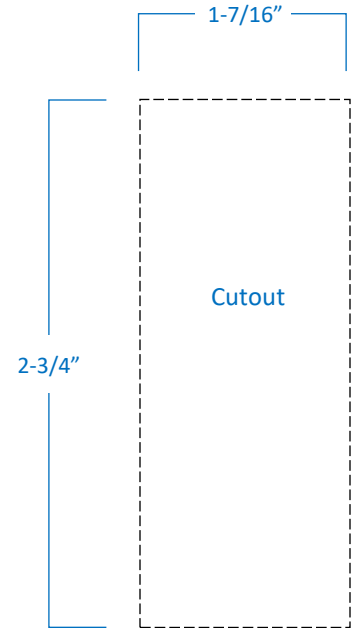
Date \_\_\_\_\_

Type \_\_\_\_\_

Location \_\_\_\_\_

## Product Specifications

Description	Pushbutton with metal jamb box Single Circuit Momentary Commercial Grade
Finish	Metal
Dimensions	1-1/2"Width x 4-1/8"Height x 1-1/2"Depth
Control Style	Single Pole
Voltage	125 volts
Amperage	3 Amps
Certifications	cETLus Listed   CSA Certified
Features	Mounting screws included



Front View

Side View