

2-Light Vanity

Part Number

A17012-BK

A17012-BN

A17012-CH

Finish

Black

Brushed Nickel

Chrome

Project _____

Date _____

Type _____

Location _____

Product Specifications

Description	This sleek 2-light vanity offers a contemporary style to complement any bathroom décor.
Shade	White Opal Glass
Dimensions	14"Width x 7-3/4"Height x 5-3/4"Extension
Lamps	2 x LED A19 (E26 Medium Base) not included
Certifications	cETLus Listed CSA Certified Suitable for Damp Location
Features	120V 60Hz Used Wall mount (hardware included) Can be installed in upward or downward position



Black



Brushed Nickel



Chrome



GTA Office: 151 Aviva Park Drive, Woodbridge
Ottawa Office: 200 Iber Road, Unit 5, Stittsville

Tel: 905-669-1230
Tel: 613-836-1977

www.sanremolighting.com
© All rights reserved

2-Light Vanity

Part Number

A17012-BK

A17012-BN

A17012-CH

Finish

Black

Brushed Nickel

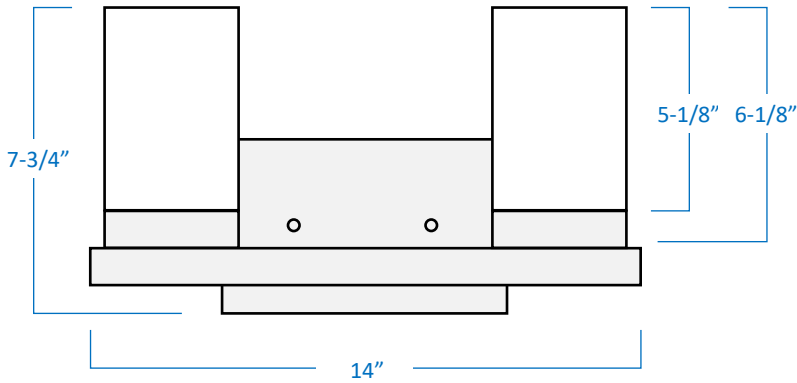
Chrome

Project _____

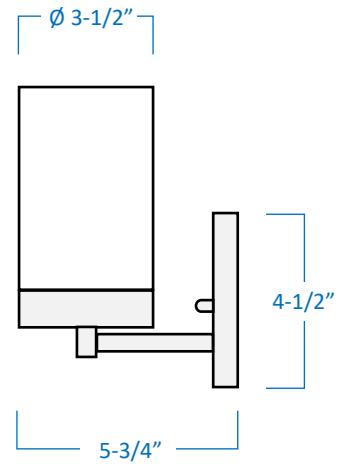
Date _____

Type _____

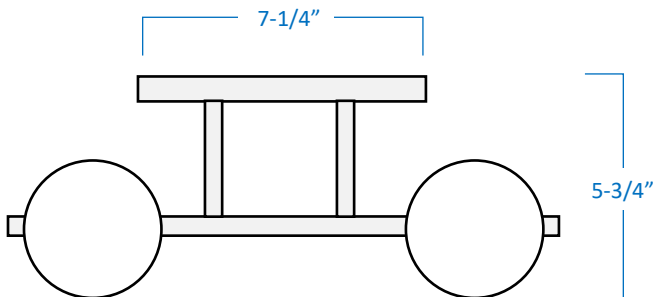
Location _____



Front View



Side View



Top View