

# Mini-Pendant

Part Number

**A52051-BN**

Project \_\_\_\_\_

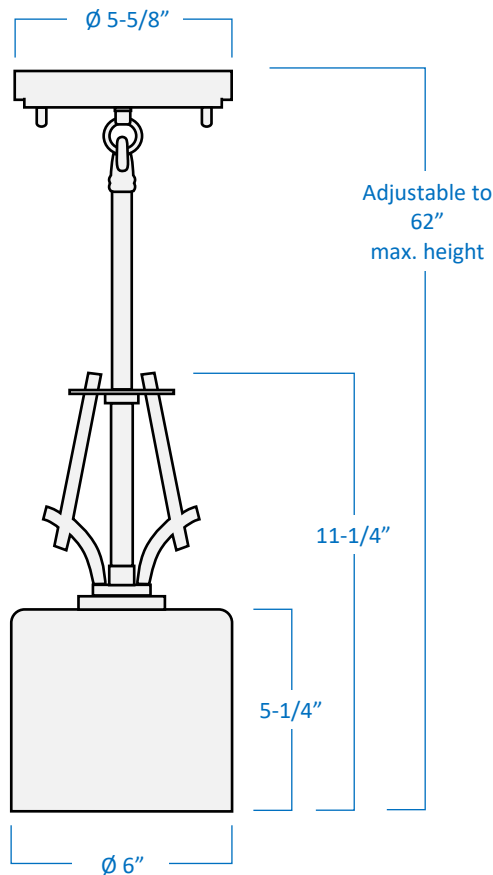
Date \_\_\_\_\_

Type \_\_\_\_\_

Location \_\_\_\_\_

## Product Specifications

Description	Zen Collection: This mini-pendant's refined design with captivating curves offers a sophisticated accent to any contemporary home décor.
Finish	Brushed Nickel
Shade	White glass
Dimensions	6" Diameter x 62" Approx. Max. Height Includes 5 adjustable stems: 6"+6"+12"+12"+12"
Lamps	1 x LED A19 (E26 Medium Base) not Included
Certifications	cULus Listed   CSA Certified
Features	120V   60Hz   Ceiling mount only (hardware included)



GTA Office: 151 Aviva Park Drive, Woodbridge  
Ottawa Office: 200 Iber Road, Unit 5, Stittsville

Tel: 905-669-1230  
Tel: 613-836-1977

www.sanremolighting.com  
© All rights reserved