

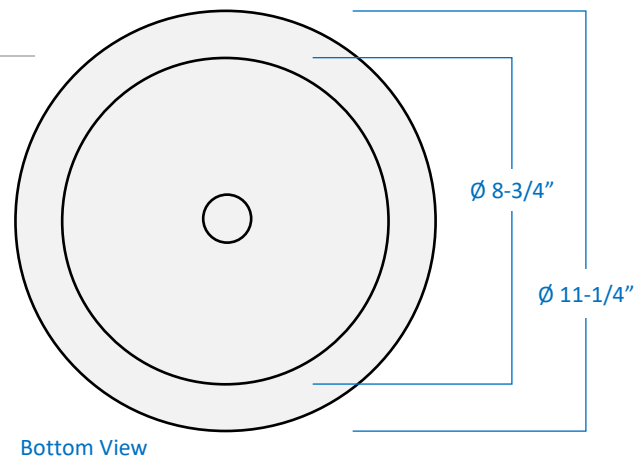
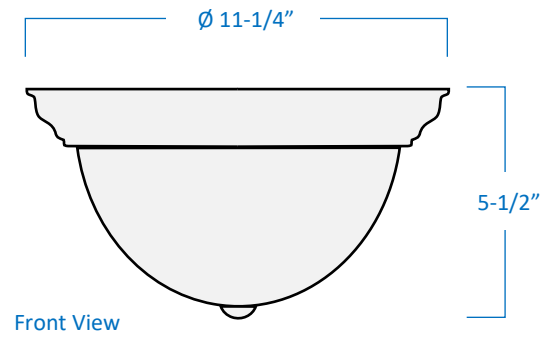
2-Light Ceiling Flush Mount

Part Number **Finish**
A2011-WH White
A2011-PT Pewter

Project _____
 Date _____
 Type _____
 Location _____

Product Specifications

| | |
|----------------|--|
| Description | 2-Light ceiling flush mount Classic style complements most décor Ambient lighting for den, living room and hallway |
| Shade | Frosted Melon Glass |
| Dimensions | 11-1/4" Diameter x 5-1/2" Height |
| Lamps | 2 x LED A19 (E26 Medium Base) not included |
| Certifications | cULus Listed CSA Certified |
| Features | 120V 60Hz Ceiling mount only (hardware included) |



GTA Office: 151 Aviva Park Drive, Woodbridge
 Ottawa Office: 200 Iber Road, Unit 5, Stittsville

Tel: 905-669-1230
 Tel: 613-836-1977

www.sanremolighting.com
 © All rights reserved