

2-Light Square Wall Sconce

Part Number

A1003S-BK

Project _____

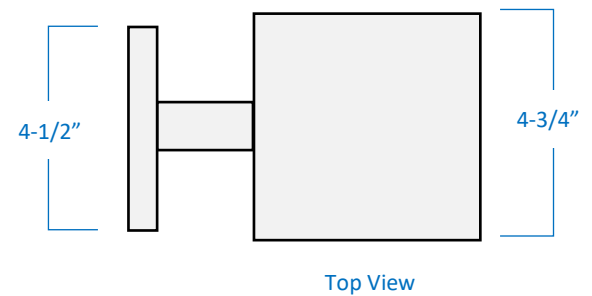
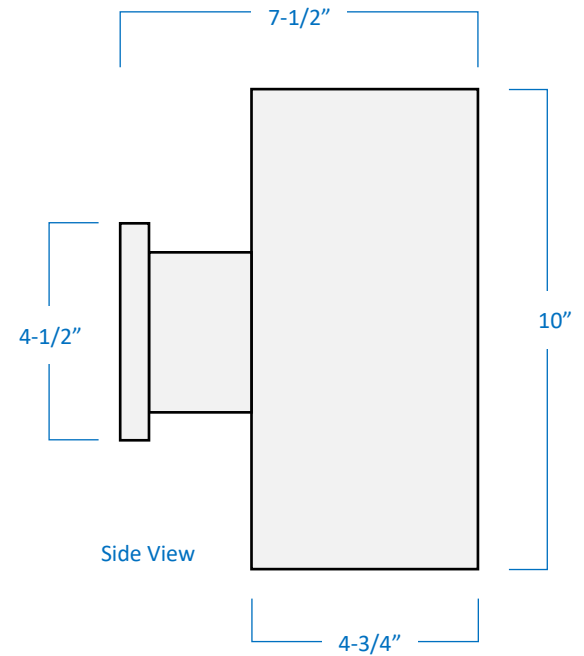
Date _____

Type _____

Location _____

Product Specifications

Description	2-Light square wall sconce Interior or exterior use Contemporary architectural design Up-and-down lighting
Finish	Black
Construction	Durable die cast aluminum Clear glass lens on top and bottom
Dimensions	4-3/4"Width x 10"Height x 7-1/2"Extension Box: 4-3/4"Square
Lamp	2 x LED PAR20 (E26 Medium Base) not included
Certifications	cETLus Listed CSA Certified Suitable for wet locations
Features	120V 60Hz Vertical wall mount only (hardware included)



Head Office: 151 Aviva Park Drive, Woodbridge, ON L4L 9C1
Ottawa Office: 200 Iber Road, Unit 5, Stittsville, ON K2S 0L5

Tel: 905-669-1230
Tel: 613-836-1977

© SanRemoLighting.com
Toll Free: 1-800-903-1115