

# 2-Light Semi Flush Mount

Part Number

**A3142-BN**

Project \_\_\_\_\_

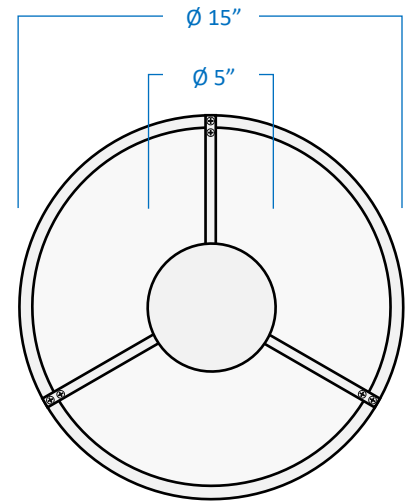
Date \_\_\_\_\_

Type \_\_\_\_\_

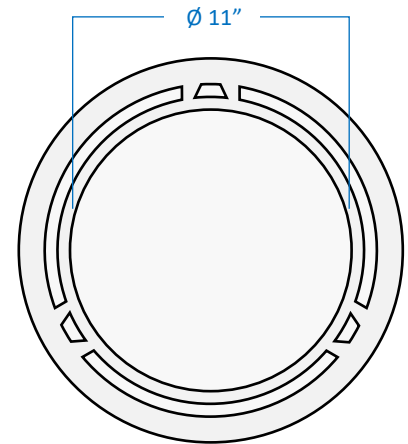
Location \_\_\_\_\_

## Product Specifications

Description	Contemporary Style Sweeping arcs & refined workmanship.
Finish	Brushed Nickel
Shade	White Alabaster Glass
Dimensions	15" Diameter x 10" Height
Lamps	2 x LED A19 (E26 Medium Base) not Included
Certifications	cETLus Listed   CSA Certified
Features	120V   60Hz Ceiling mount only (hardware included)



Top View



Bottom View



GTA Office: 151 Aviva Park Drive, Woodbridge  
Ottawa Office: 200 Iber Road, Unit 5, Stittsville

Tel: 905-669-1230  
Tel: 613-836-1977

www.sanremolighting.com  
© All rights reserved