

# 8-Light Vanity

Part Number

**A3148-11**

**A3148-7**

Finish

Brushed Nickel

Chrome

Project \_\_\_\_\_

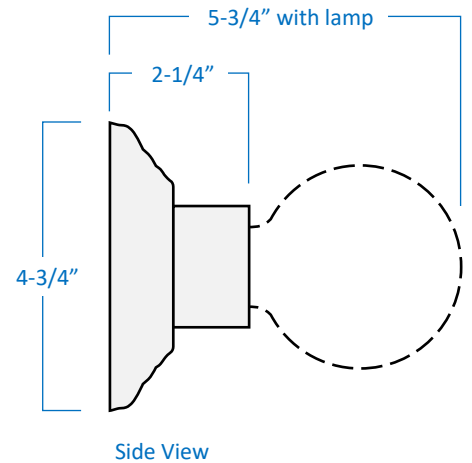
Date \_\_\_\_\_

Type \_\_\_\_\_

Location \_\_\_\_\_

## Product Specifications

Description	The embossed, wall-mount bracket of our 8-Light Racetrack Vanity from the Milano Collection has a Hollywood-like appeal. Perfect for use in powder rooms and bathrooms.
Dimensions	48" Width x 4-3/4" Height x 5-3/4" Extension Extension includes lamp
Lamps	8 x LED G25 (E26 Medium Base) not included
Certifications	cETLus Listed   CSA Certified Suitable for damp locations
Features	120V   60Hz Wall mount only (hardware included) Can be installed horizontally or vertically



Brushed Nickel



Chrome



GTA Office: 151 Aviva Park Drive, Woodbridge  
Ottawa Office: 200 Iber Road, Unit 5, Stittsville

Tel: 905-669-1230  
Tel: 613-836-1977

www.sanremolighting.com  
© All rights reserved