

3-Light Chandelier

Part Number
A2015P-1

Project _____

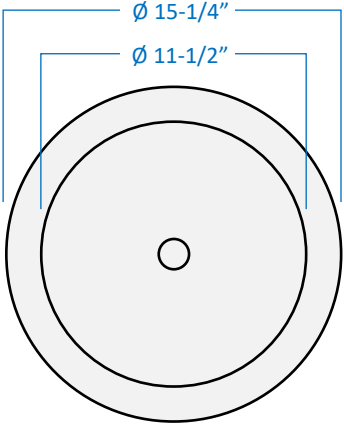
Date _____

Type _____

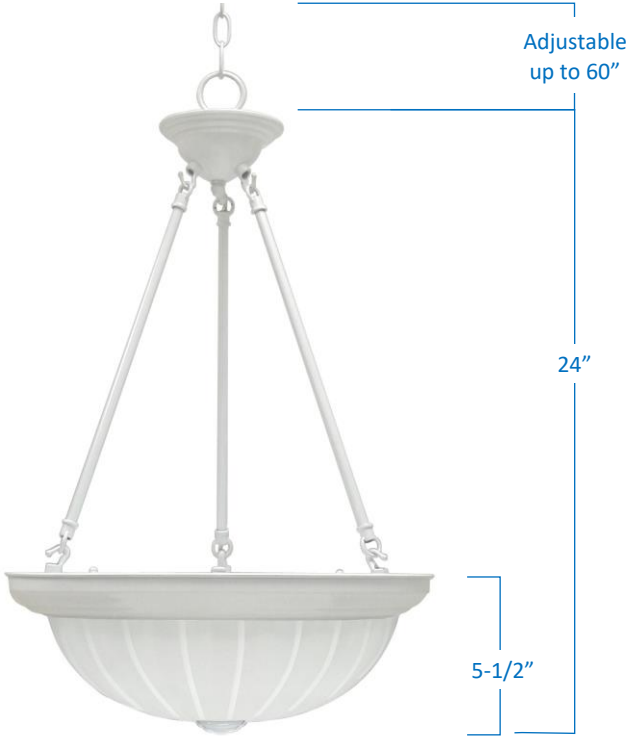
Location _____

Product Specifications

Description	This traditional 3-Light pendant-style Chandelier is perfect for dining rooms, foyers, and large stairwells.
Finish	White
Shade	Frosted Melon Glass
Dimensions	15-1/4" Diameter x 24" Height Includes 60" adjustable chain & canopy
Lamps	3 x LED A19 (E26 Medium Base) not Included
Certifications	cETLus Listed CSA Certified
Features	120V 60Hz Ceiling mount only (hardware included)



Bottom View



GTA Office: 151 Aviva Park Drive, Woodbridge
Ottawa Office: 200 Iber Road, Unit 5, Stittsville

Tel: 905-669-1230
Tel: 613-836-1977

www.sanremolighting.com
© All rights reserved