

1-Light Exterior Hanging Lantern

Part Number

A0303FH-6

Project _____

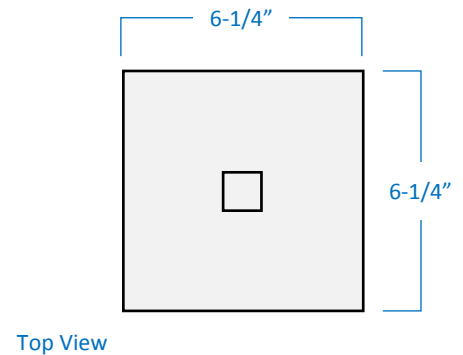
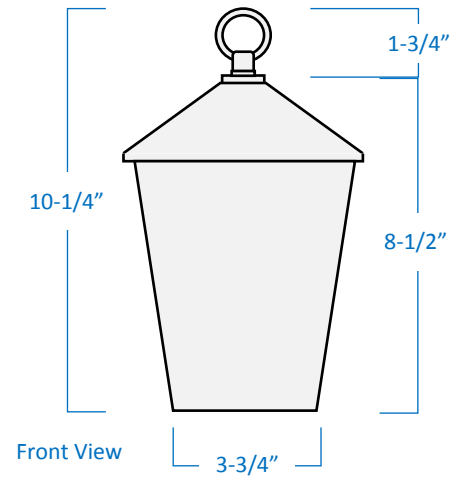
Date _____

Type _____

Location _____

Product Specifications

Description	1-Light contemporary hanging lantern Exterior use Ambient lighting
Finish	Black
Construction	Durable die cast aluminum Frosted & seeded glass
Dimensions	6-1/4" Width x 6-1/4" Length x 10-1/4" Height Includes 24" adjustable chain & canopy
Certifications	cETLus Listed Certified to CSA standards Suitable for wet locations
Lamp	1 x LED (E26 Medium Base) not included
Notes	<ul style="list-style-type: none">▪ 120V 60Hz▪ Ceiling mounting only▪ Mounting hardware included



Head Office: 151 Aviva Park Drive, Woodbridge, ON L4L 9C1
Ottawa Office: 200 Iber Road, Unit 5, Stittsville, ON K2S 0L5

Tel: 905-669-1230
Tel: 613-836-1977

© SanRemoLighting.com
Toll Free: 1-800-903-1115