

# 2-Light Exterior Hanging Lantern

Part Number

**A6123-BK**

Project \_\_\_\_\_

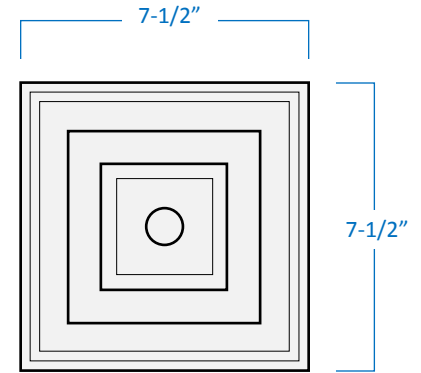
Date \_\_\_\_\_

Type \_\_\_\_\_

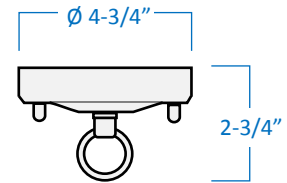
Location \_\_\_\_\_

## Product Specifications

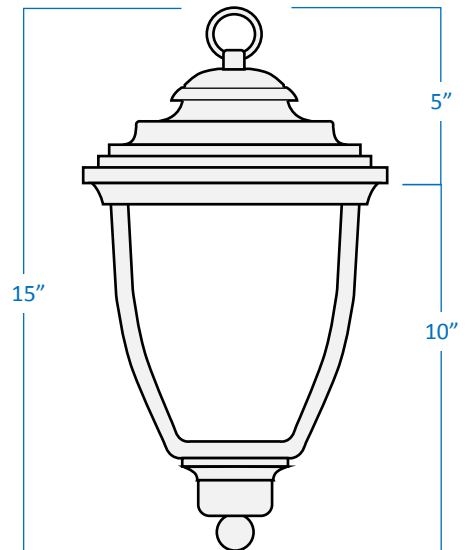
Description	2-Light exterior traditional hanging lantern Ambient lighting
Finish	Black
Construction	Die cast aluminum Clear seeded glass
Dimensions	7-1/2"Width x 7-1/2"Length x 15"Height
Lamps	2 x LED B10 (E12 Candelabra Base) not included
Certifications	cETLus Listed   CSA Certified Suitable for wet locations
Features	120V   60Hz Ceiling mount only (hardware Included) Includes 24" adjustable chain & canopy



Top View



Canopy Side View



Side View



GTA Office: 151 Aviva Park Drive, Woodbridge  
Ottawa Office: 200 Iber Road, Unit 5, Stittsville

Tel: 905-669-1230  
Tel: 613-836-1977

www.sanremolighting.com  
© All rights reserved