

1-Light Wall Sconce

Part Number

A16011-7

Project _____

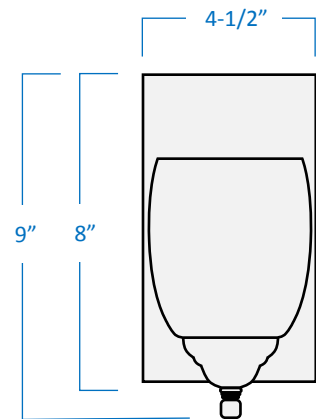
Date _____

Type _____

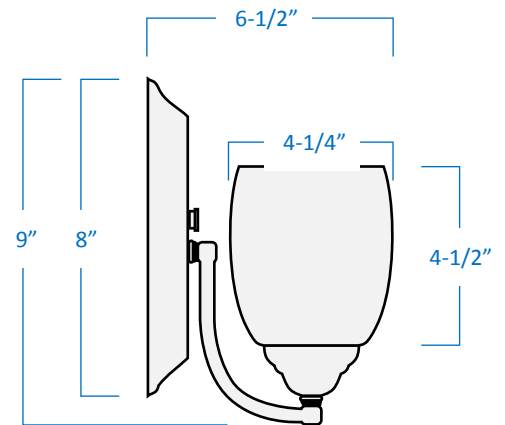
Location _____

Product Specifications

Description	1-Light wall sconce is perfect for accent lighting, enhancing any room, entry way, hallway area or bathroom vanity.
Finish	Chrome
Shade	Matte White Glass
Dimensions	4-1/2" Width x 9" Height x 6-1/2" Extension
Lamps	1 x LED A19 (E26 Medium Base) not included
Certifications	cETLus Listed CSA Certified
Features	120V 60Hz Wall mounting only (hardware included) Can be installed with glass facing up or down



Front View



Side View



GTA Office: 151 Aviva Park Drive, Woodbridge
Ottawa Office: 200 Iber Road, Unit 5, Stittsville

Tel: 905-669-1230
Tel: 613-836-1977

www.sanremolighting.com
© All rights reserved