

# 1-Light Exterior Wall Lantern

Part Number

**A0289-" M**

Project \_\_\_\_\_

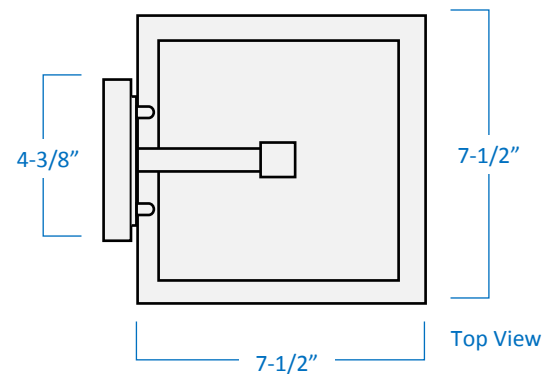
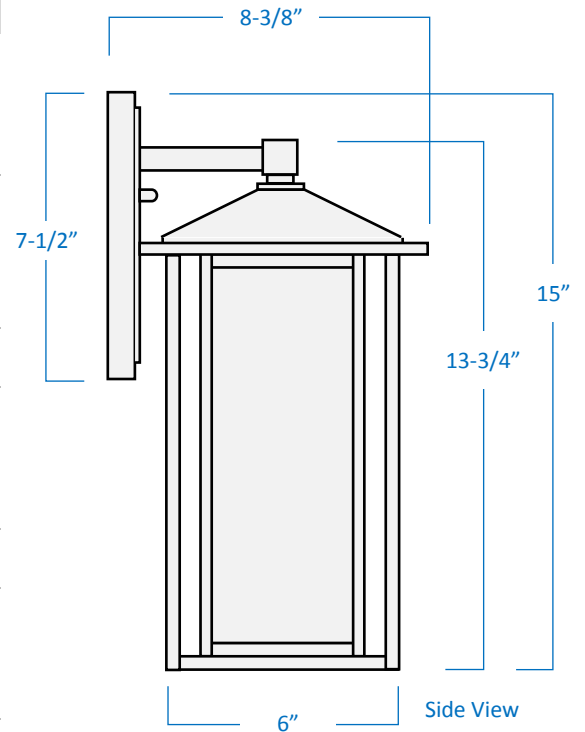
Date \_\_\_\_\_

Type \_\_\_\_\_

Location \_\_\_\_\_

## Product Specifications

Description	1-Light contemporary wall lantern Exterior use Ambient lighting
Finish	Black
Construction	Durable die cast aluminum Clear seeded glass
Dimensions	7-1/2"Width x 15"Height x 8-3/8"Extension
Certifications	cETLus Listed Certified to CSA standards Suitable for wet locations
Lamp	1 x LED (E26 Medium Base) not included
Notes	<ul style="list-style-type: none"><li>▪ 120V   60Hz</li><li>▪ Vertical wall mounting only</li><li>▪ Mounting hardware included</li></ul>



Head Office: 151 Aviva Park Drive, Woodbridge, ON L4L 9C1  
Ottawa Office: 200 Iber Road, Unit 5, Stittsville, ON K2S 0L5

Tel: 905-669-1230  
Tel: 613-836-1977

© SanRemoLighting.com  
Toll Free: 1-800-903-1115