

# 1-Light Exterior Wall Lantern

Part Number

**A1789-1**

Project \_\_\_\_\_

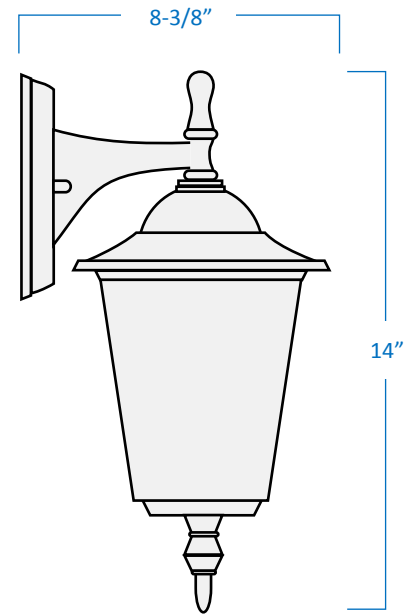
Date \_\_\_\_\_

Type \_\_\_\_\_

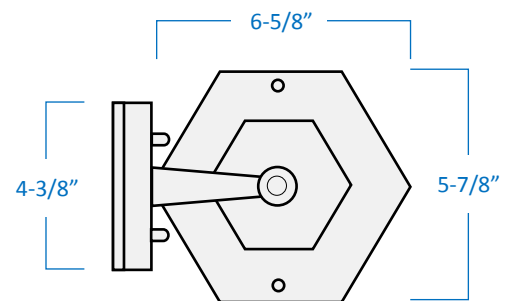
Location \_\_\_\_\_

## Product Specifications

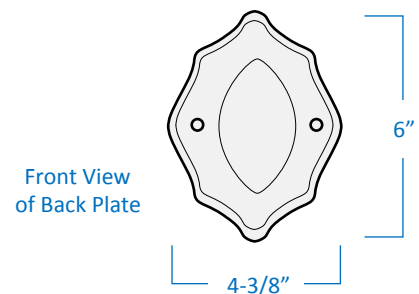
Description	1-Light traditional wall lantern Exterior use Ambient lighting
Finish	White
Construction	Durable die cast aluminum Clear beveled glass
Dimensions	5-7/8" Width x 14" Height x 8-3/8" Extension
Lamps	1 x LED (E26 Medium Base) not included
Certifications	cULus or cETLus Listed Certified to CSA standards Suitable for wet locations
Notes	<ul style="list-style-type: none"> <li>▪ 120V   60Hz</li> <li>▪ Vertical wall mounting only</li> <li>▪ Mounting hardware included</li> </ul>



Side View



Top View



Front View  
of Back Plate



Head Office: 151 Aviva Park Drive, Woodbridge, ON L4L 9C1  
Ottawa Office: 200 Iber Road, Unit 5, Stittsville, ON K2S 0L5

Tel: 905-669-1230  
Tel: 613-836-1977

© SanRemoLighting.com  
Toll Free: 1-800-903-1115