

2-Light Wall Sconce

Part Number

BWS16-BN

Project _____

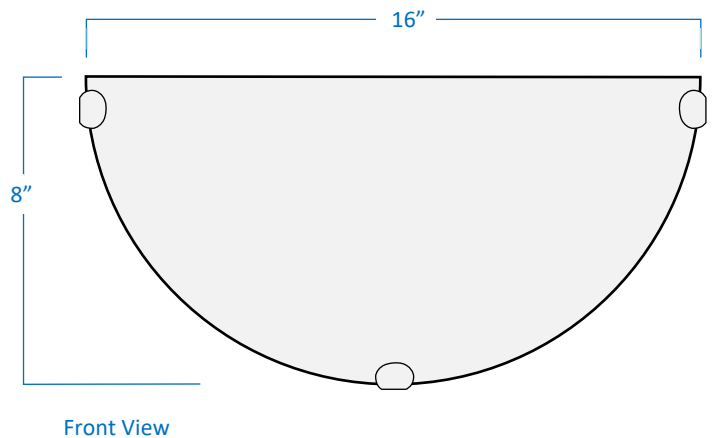
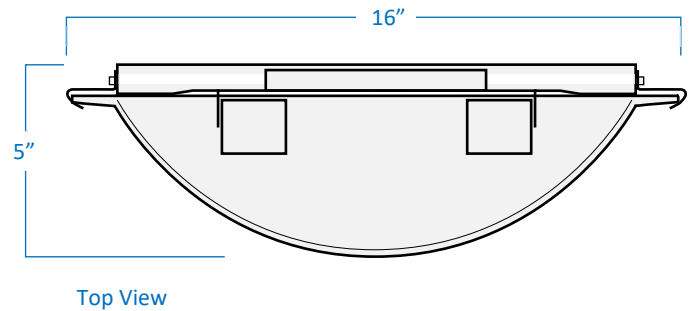
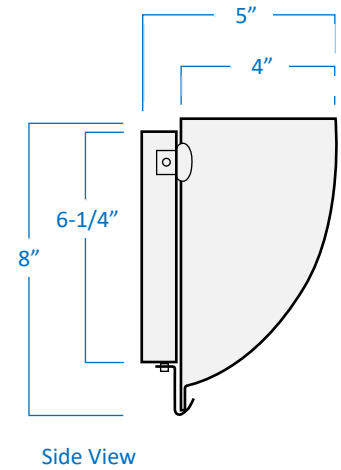
Date _____

Type _____

Location _____

Product Specifications

Description	This 2-Light Wall Sconce features white alabaster glass in a classic style. Perfect for use in the bathroom, hallway, or on an accent wall.
Finish	Brushed nickel clips
Shade	White alabaster glass
Dimensions	16"Width x 8"Height x 5"Extension
Lamps	2 x LED A19 (E26 Medium Base) INCLUDED
Certifications	cULus Listed CSA Certified
Features	120V 60Hz Ceiling mount only (includes hardware)



GTA Office: 151 Aviva Park Drive, Woodbridge
Ottawa Office: 200 Iber Road, Unit 5, Stittsville

Tel: 905-669-1230
Tel: 613-836-1977

www.sanremolighting.com
© All rights reserved