

# 3-Light Task Bar

Part Number

**B51023-BN**

Project \_\_\_\_\_

Date \_\_\_\_\_

Type \_\_\_\_\_

Location \_\_\_\_\_

## Product Specifications

Description	Distinguished by its crisp, modern elements, the Rhythm Collection 3-light task bar sports an enhanced white glass shade and highly polished design to provide adjustable accent lighting.
Finish	Brushed Nickel
Shade	White Glass
Dimensions	26" Width x 10-1/4" Height/Extension
Lamps	3 x LED A15 (E26 Medium Base) <b>INCLUDED</b>
Certifications	cULus Listed   CSA Certified Suitable for damp locations
Features	120V   60Hz Ceiling or wall mount (hardware included) Arms tilt approx. 180° & swivel approx. 350°



GTA Office: 151 Aviva Park Drive, Woodbridge  
Ottawa Office: 200 Iber Road, Unit 5, Stittsville

Tel: 905-669-1230  
Tel: 613-836-1977

[www.sanremolighting.com](http://www.sanremolighting.com)  
© All rights reserved

# 3-Light Task Bar

Part Number

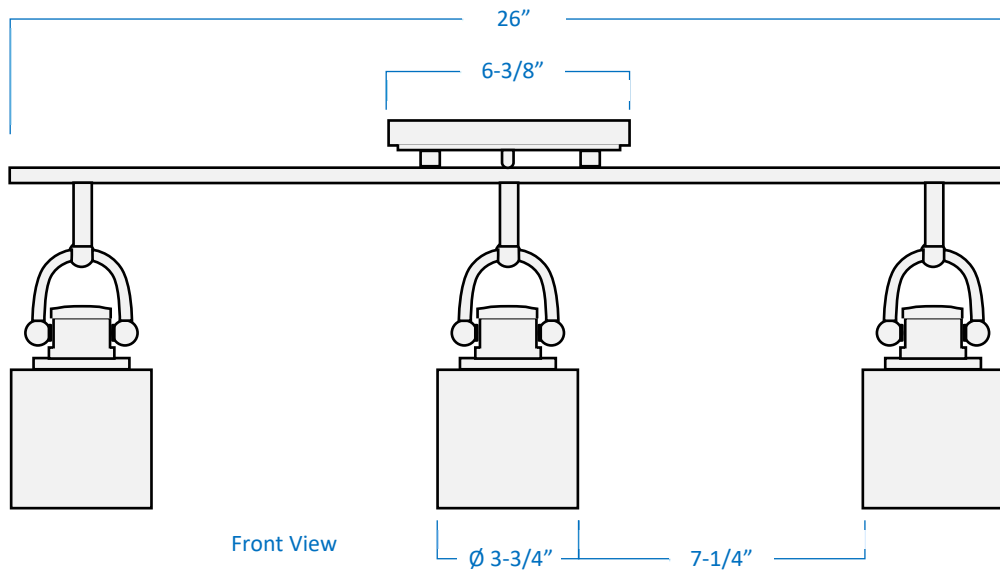
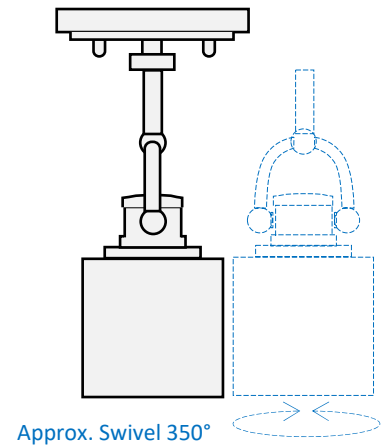
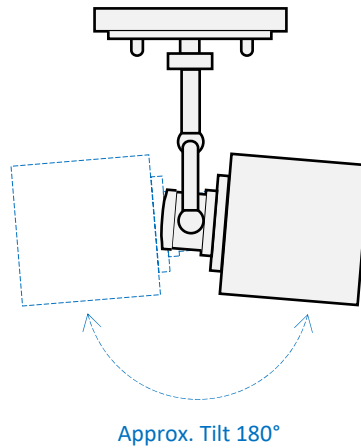
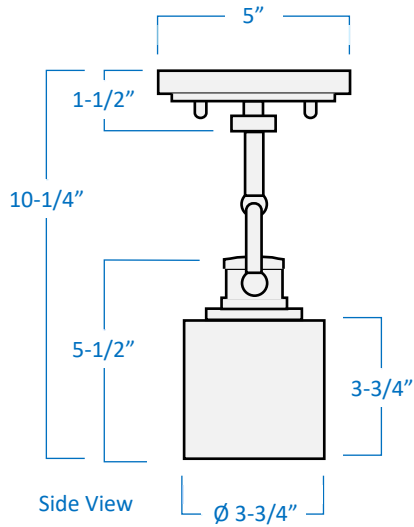
**B51023-BN**

Project \_\_\_\_\_

Date \_\_\_\_\_

Type \_\_\_\_\_

Location \_\_\_\_\_



GTA Office: 151 Aviva Park Drive, Woodbridge  
Ottawa Office: 200 Iber Road, Unit 5, Stittsville

Tel: 905-669-1230  
Tel: 613-836-1977

www.sanremolighting.com  
© All rights reserved