

2-Light Vanity

Part Number

B52012-BN

Project _____

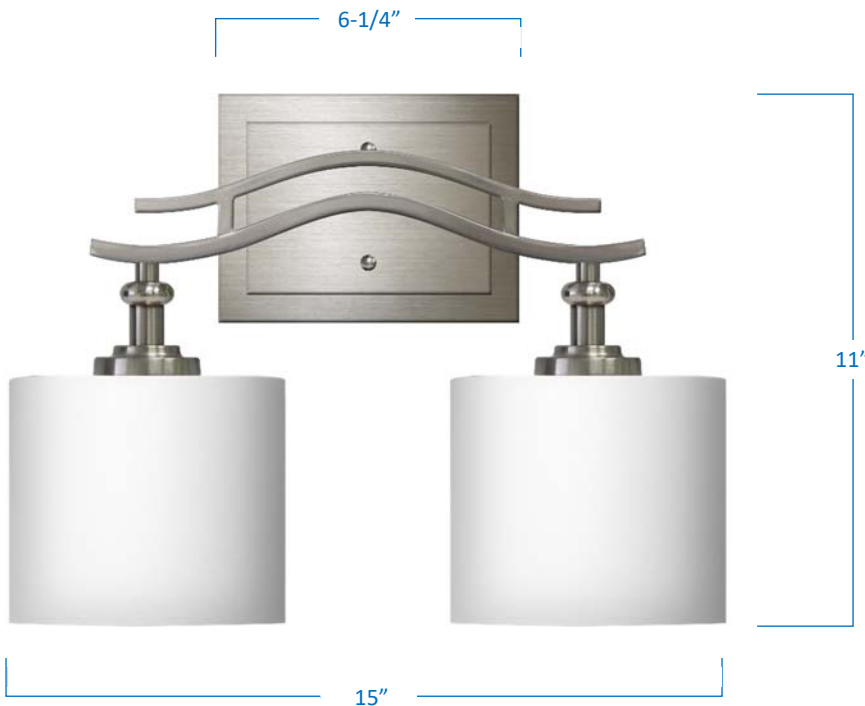
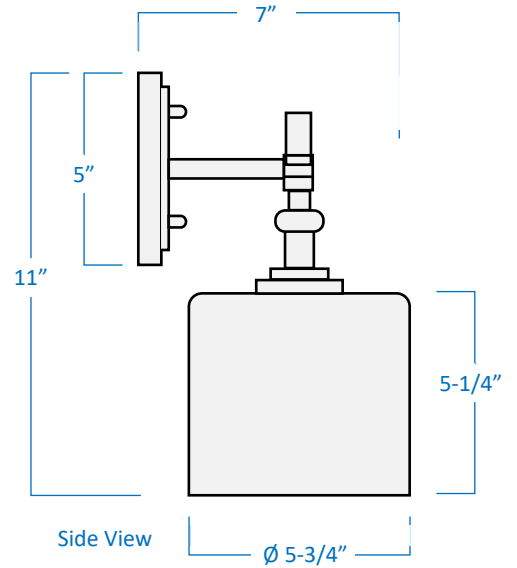
Date _____

Type _____

Location _____

Product Specifications

Description	The visually strong lines and captivating curves of the Zen Collection's 2-Light Vanity is an outstanding choice for all interiors. Perfect for powder rooms and bathrooms.
Finish	Brushed Nickel
Shade	White Glass
Dimensions	15"Width x 11"Height x 7"Extension
Lamps	2 x LED A19 (E26 Medium Base) INCLUDED
Certifications	cULus Listed CSA Certified Suitable for damp locations
Features	120V 60Hz Wall mount only (hardware included) Can be installed with glass facing up or down



GTA Office: 151 Aviva Park Drive, Woodbridge
Ottawa Office: 200 Iber Road, Unit 5, Stittsville

Tel: 905-669-1230
Tel: 613-836-1977

www.sanremolighting.com
© All rights reserved