

# 1-Light Cylinder Wall Lantern

Part Number

**B4030-BK**

Project \_\_\_\_\_

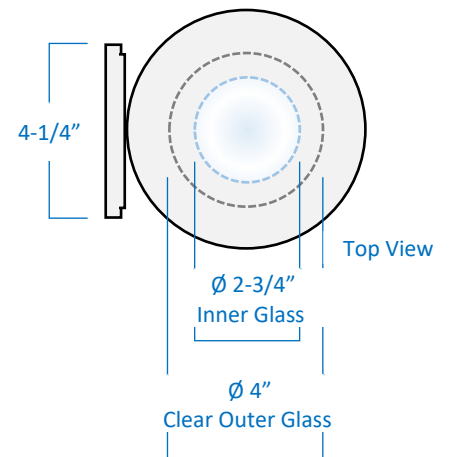
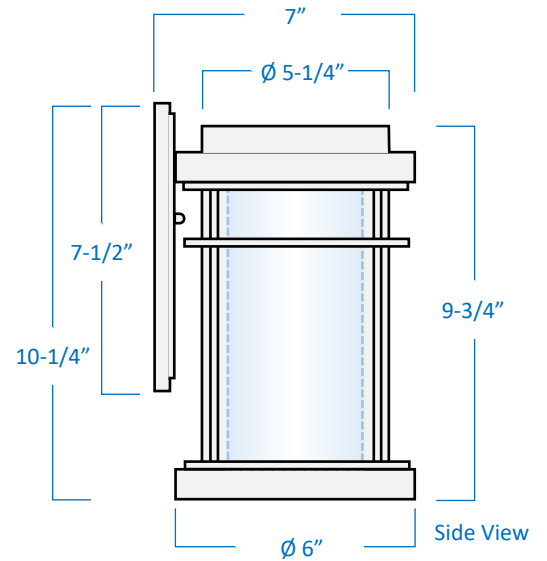
Date \_\_\_\_\_

Type \_\_\_\_\_

Location \_\_\_\_\_

## Product Specifications

Description	1-Light contemporary wall lantern Exterior use Ambient lighting
Finish	Black
Construction	Durable die cast aluminum Clear outer glass Frosted & snow white inner glass
Dimensions	6"Width x 10-1/4"Height x 7"Extension
Certifications	cETLus Listed Certified to CSA standards Suitable for wet locations
Lamp	1 x LED (E26 Medium Base) <b>INCLUDED</b>
Notes	<ul style="list-style-type: none"> <li>120V   60Hz</li> <li>Vertical wall mounting only</li> <li>Mounting hardware included</li> </ul>



Head Office: 151 Aviva Park Drive, Woodbridge, ON L4L 9C1  
Ottawa Office: 200 Iber Road, Unit 5, Stittsville, ON K2S 0L5

Tel: 905-669-1230  
Tel: 613-836-1977

© SanRemoLighting.com  
Toll Free: 1-800-903-1115