

4" Gimbal LED Downlight

Part Number

R4GD-D30ES-WH
R4GD-D30ES-BN
R4GD-D30ES-BK

Finish

White
 Brushed Nickel
 Black

Project _____

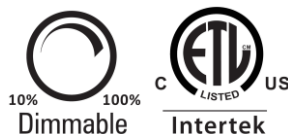
Date _____

Type _____

Location _____

Product Specifications

Description	4" Round Gimbal Recessed LED
Wattage	9W = 60W Halogen
Dimensions	Ø 5" Outer Diameter x 1-1/2" Height Ø 3-1/8" Gimbal Diameter
Cut Out	Ø 4-1/8"
Dim Capacity	Dimmable (with compatible TRIAC dimmer) Dimmable down to 10%
Rated Lamp Life	Up to 35,000 hours
Brightness	700 Lumens
Colour Temp.	3000 Kelvins (warm white)
Colour Rendering	≥ 80 CRI
Operating Temp.	-40°C to + 40°C (-40°F to 104°F)
Beam Angle	40° beam angle (30° tilt angle)
Certifications	cETLus Certified to CSA standards Suitable for damp locations Type IC rated for direct contact with insulation
Features	120V 60Hz Slim 1-1/2" design fits in limited ceiling space Reduce labour time with quick installation No potlight housing required Ideal for soffit installation and accent lighting

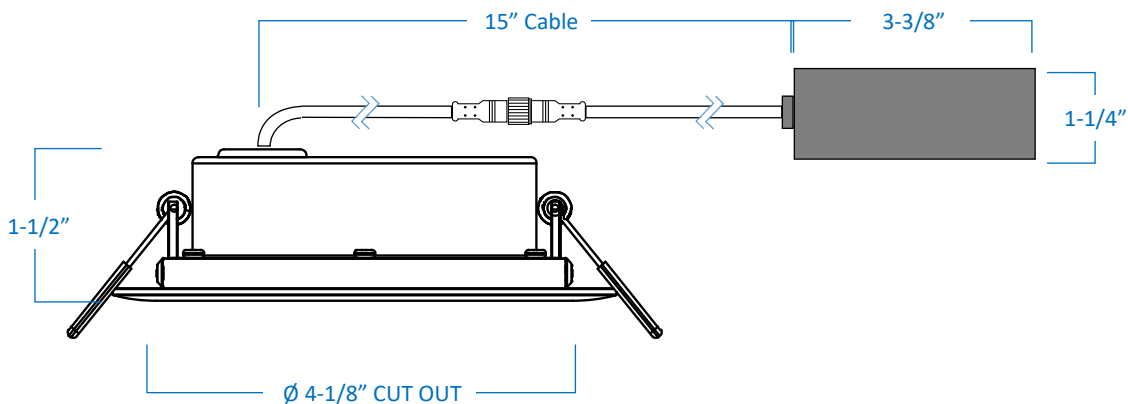
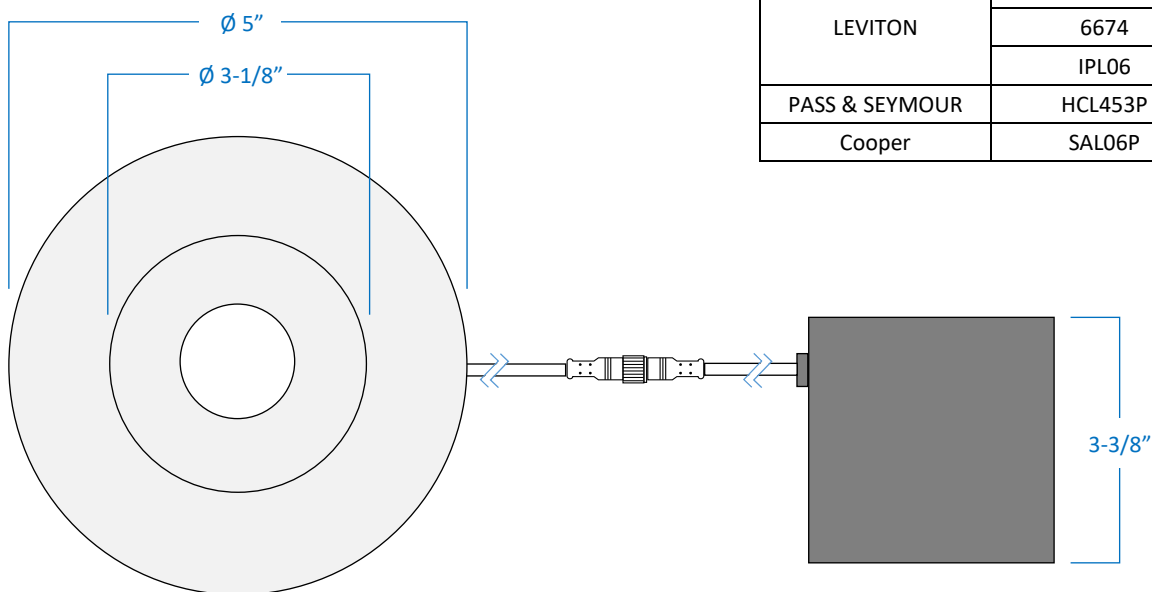


4" Gimbal LED Downlight

Includes one junction box with quick connectors and factory-installed driver



120V Compatible Dimmers	
BRAND	MODEL
LUTRON	TGCL-153PH
	LGCL-153PH
	MACL-153M
	DVCL-153P
	CTCL-153P
LEVITON	6672
	6674
	IPL06
PASS & SEYMOUR	HCL453P
Cooper	SAL06P



GTA Office: 151 Aviva Park Drive, Woodbridge
 Ottawa Office: 200 Iber Road, Unit 5, Stittsville

Tel: 905-669-1230
 Tel: 613-836-1977

www.sanremolighting.com
 © All rights reserved