

1-Light Exterior Wall Lantern

Part Number

B1789-BK

Project _____

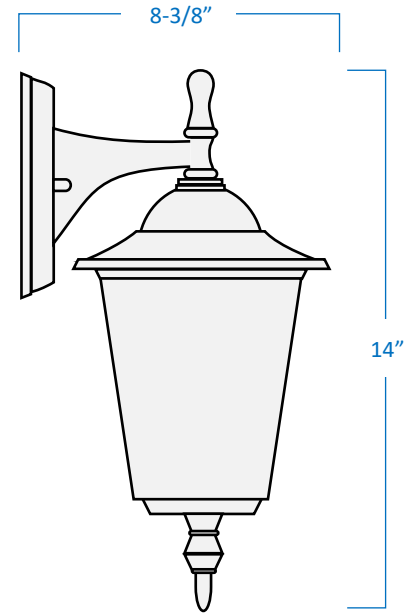
Date _____

Type _____

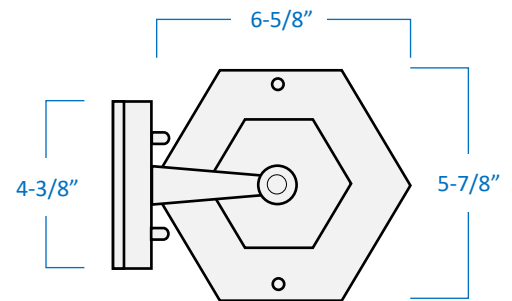
Location _____

Product Specifications

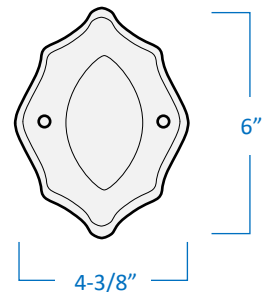
Description	1-Light traditional wall lantern Exterior use Ambient lighting
Finish	Black
Construction	Durable die cast aluminum Clear beveled glass
Dimensions	5-7/8" Width x 14" Height x 8-3/8" Extension
Lamps	1 x LED (E26 Medium Base) INCLUDED
Certifications	cULus or cETLus Listed Certified to CSA standards Suitable for wet locations
Notes	<ul style="list-style-type: none"> ▪ 120V 60Hz ▪ Vertical wall mounting only ▪ Mounting hardware included



Side View



Top View



Front View
of Back Plate

