

# 2-Light Vanity

Part Number

**B51012-BN**

Project \_\_\_\_\_

Date \_\_\_\_\_

Type \_\_\_\_\_

Location \_\_\_\_\_

## Product Specifications

Description	Distinguished by its crisp, modern elements, the Rhythm Collection 2-light vanity sports an enhanced white glass shade and highly polished design to provide a sophisticated accent to your bathroom décor.
Finish	Brushed Nickel
Shade	White Glass
Dimensions	15"Width x 8"Height x 7-1/2"Extension
Lamps	2 x LED A19 (E26 Medium Base) <b>INCLUDED</b>
Certifications	cULus Listed   CSA Certified Suitable for damp locations
Features	120V   60Hz Wall mount only (hardware included) Can be installed with glass facing up or down



# 2-Light Vanity

Part Number

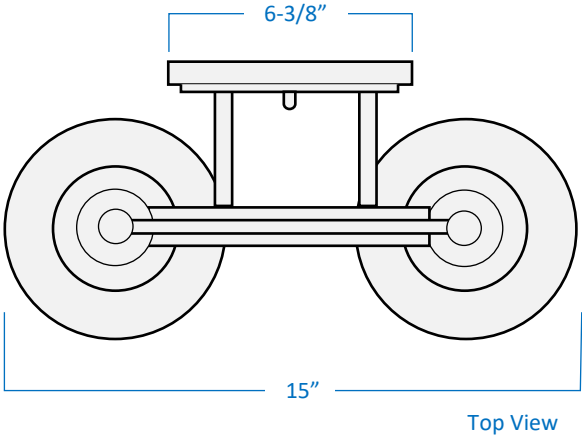
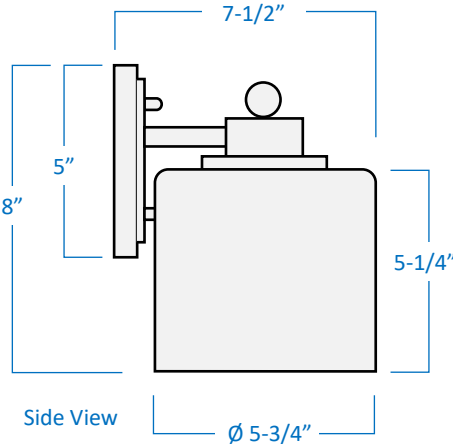
**B51012-BN**

Project \_\_\_\_\_

Date \_\_\_\_\_

Type \_\_\_\_\_

Location \_\_\_\_\_



GTA Office: 151 Aviva Park Drive, Woodbridge  
Ottawa Office: 200 Iber Road, Unit 5, Stittsville

Tel: 905-669-1230  
Tel: 613-836-1977

www.sanremolighting.com  
© All rights reserved