

3.5" Gimbal LED Downlight

Part Number

R35G-D30ES-BK

Project _____

Date _____

Type _____

Location _____

Product Specifications

Description	3.5" Round Gimbal Recessed LED
Finish	Black trim with frosted lens
Wattage	9W = 50W Halogen
Dimensions	Ø 4-3/8" Outer Diameter x 2-1/2" Height Ø 2-3/4" Gimbal Diameter
Cut Out	Ø 3-5/8"
Dim Capacity	Dimmable (with compatible TRIAC dimmer) Dimmable down to 10%
Rated Lamp Life	Up to 50,000 hours
Brightness	720 Lumens
Colour Temp.	3000 Kelvins (warm white)
Colour Rendering	≥ 90 CRI
Operating Temp.	-40°C to 40°C (-40°F to 104°F)
Beam Angle	40° beam
Certifications	cETLus Energy Star Certified Certified to CSA standards Suitable for wet locations
Features	120V 60Hz Fits in limited ceiling space Type IC rated Approved for direct contact with insulation Reduce labour time with quick installation Ideal for soffit installation and accent lighting 5 year limited warranty



Includes one junction box with quick connectors and factory-installed driver inside.

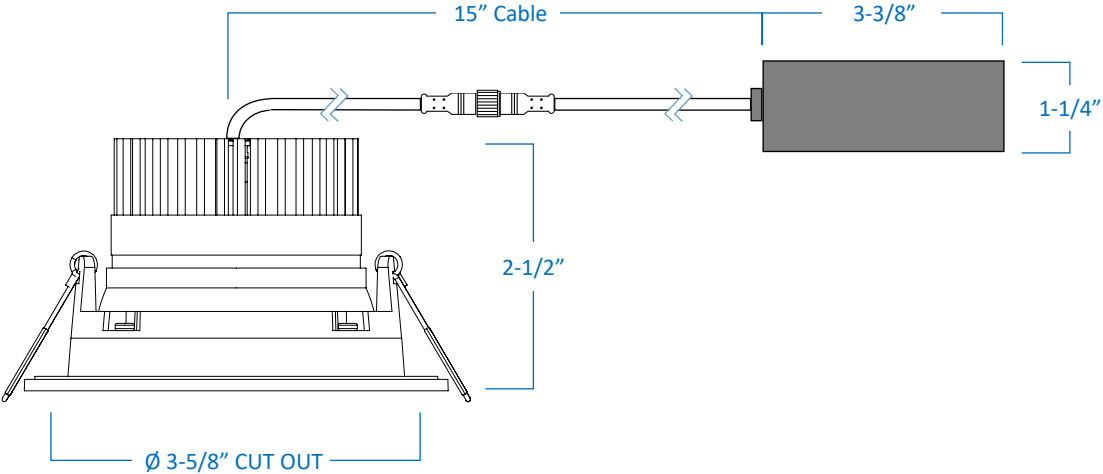
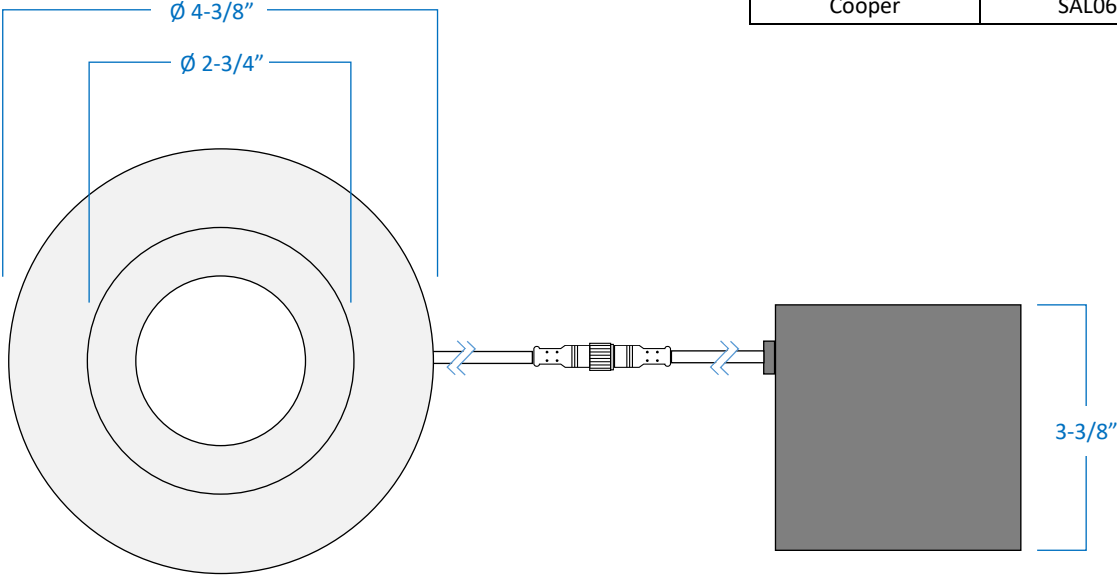


3.5" Gimbal LED Downlight

Part Number

R35G-D30ES-BK

120V Compatible Dimmers	
BRAND	MODEL
LUTRON	TGCL-153PH
	LGCL-153PH
	MACL-153M
	DVCL-153P
	CTCL-153P
LEVITON	6672
	6674
	IPL06
PASS & SEYMOUR	HCL453P
Cooper	SAL06P



GTA Office: 151 Aviva Park Drive, Woodbridge
 Ottawa Office: 200 Iber Road, Unit 5, Stittsville

Tel: 905-669-1230
 Tel: 613-836-1977

www.sanremolighting.com
 © All rights reserved