

Exterior Wall Lantern

Part Number

A1790-WH Clearance

Project _____

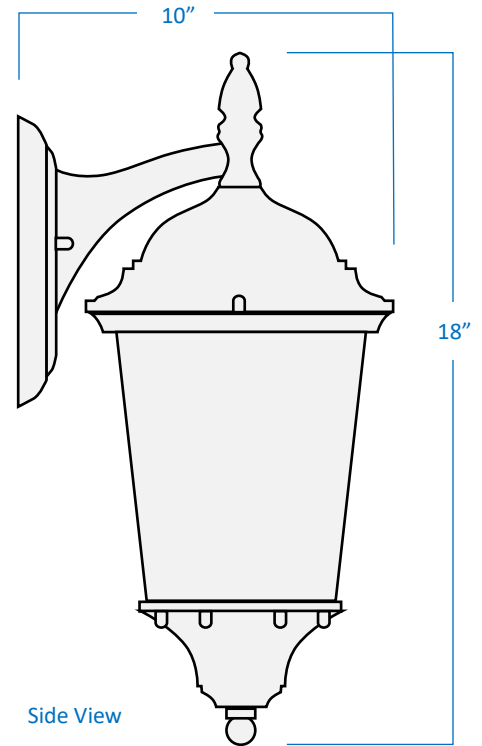
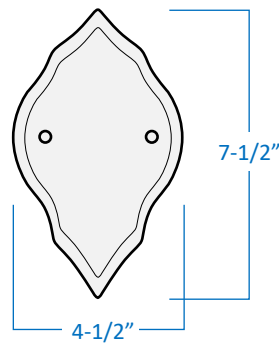
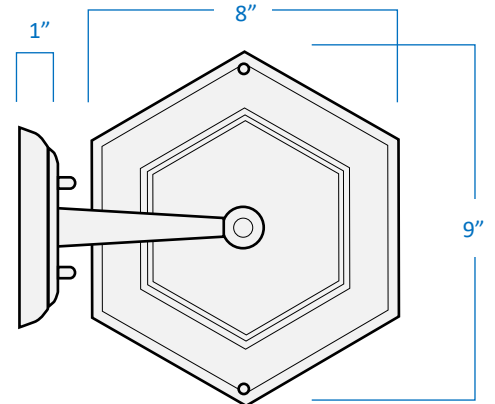
Date _____

Type _____

Location _____

Product Specifications

Description	1-Light traditional wall lantern Exterior use Ambient lighting
Finish	White
Construction	Durable die cast aluminum Clear glass
Dimensions	9"Width x 18"Height x 10"Extension
Lamps	1 x LED (E26 Medium Base) not included
Certifications	cETLus Listed CSA Certified Suitable for wet locations
Notes	120V 60Hz Vertical wall mount only (hardware included)



Head Office: 151 Aviva Park Drive, Woodbridge, ON L4L 9C1
Ottawa Office: 200 Iber Road, Unit 5, Stittsville, ON K2S 0L5

Tel: 905-669-1230
Tel: 613-836-1977

© SanRemoLighting.com
Toll Free: 1-800-903-1115