

# 3-Light Chandelier

Part Number  
**A3015P-BN**

Project \_\_\_\_\_

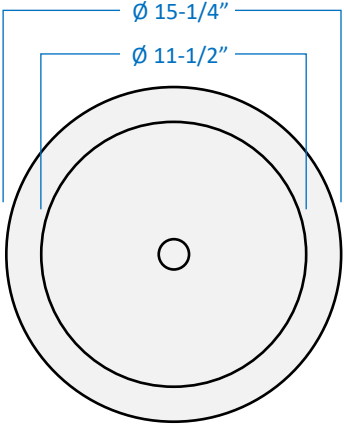
Date \_\_\_\_\_

Type \_\_\_\_\_

Location \_\_\_\_\_

**Product Specifications**

Description	This traditional 3-Light pendant-style Chandelier is perfect for dining rooms, foyers, and large stairwells.
Finish	Brushed Nickel
Shade	White Alabaster Glass
Dimensions	15-1/4" Diameter x 24" Height Includes 60" adjustable chain & canopy
Lamps	3 x LED A19 (E26 Medium Base) not Included
Certifications	cETLus Listed   CSA Certified
Features	120V   60Hz Vertical or Horizontal mounting (hardware included)



Bottom View



A3015P-BN



GTA Office: 151 Aviva Park Drive, Woodbridge  
Ottawa Office: 200 Iber Road, Unit 5, Stittsville

Tel: 905-669-1230  
Tel: 613-836-1977

www.sanremolighting.com  
© All rights reserved