

2-Light Wall Sconce

Part Number

WS2082-BN

Project _____

Date _____

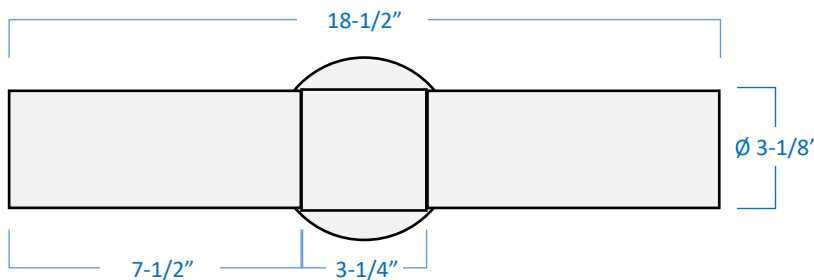
Type _____

Location _____

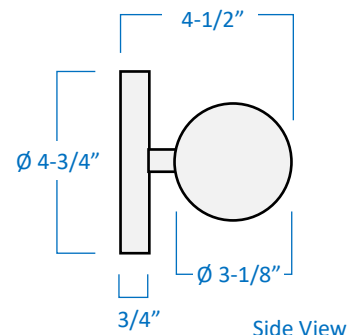
Product Specifications

Description	2-Light Wall Mounted Sconce
Finish	Brushed Nickel
Shade	White Frosted Glass (cylinder style)
Dimensions	18-1/2" Width x 4-3/4" Height (horizontal) x 4-1/2" Extension
Lamps	2 x LED (E26 Medium Base) not included
Certifications	cETLus Listed Certified to CSA standards Suitable for damp locations
Notes	120V 60Hz Mounts in horizontal or vertical position Wall mount only (hardware included)

Special Order **3 month delivery time** | **Minimum order quantity of 100 units**



Front View



Side View



Head Office: 151 Aviva Park Drive, Woodbridge, ON L4L 9C1
Ottawa Office: 200 Iber Road, Unit 5, Stittsville, ON K2S 0L5

Tel: 905-669-1230
Tel: 613-836-1977

© SanRemoLighting.com
Toll Free: 1-800-903-1115

Model: WS2082

Installation Instructions: For Wall Mounted Luminaire

Warning

- Risk of shock, do not turn on power before assembly.
- Light bulb cannot exceed the maximum wattage rating.
- Before you turn on power, please follow the instruction sheet.

Installation

1. Install the plate (A) to the outlet box by the two screws (B).
2. Install the lamp body (C) onto the wall with the screws (D).
3. Slide the bulb (E) into the glass shade (F) so that it is visible from other end.
4. Screw the bulb into the socket (G) while holding the glass shade steady (F).
5. Attach the glass shade (F) to the steel bracket (H).
6. Repeat on opposing glass shade.

