

3-Light Flush Mount

Part Number

A53033-BN

Project _____

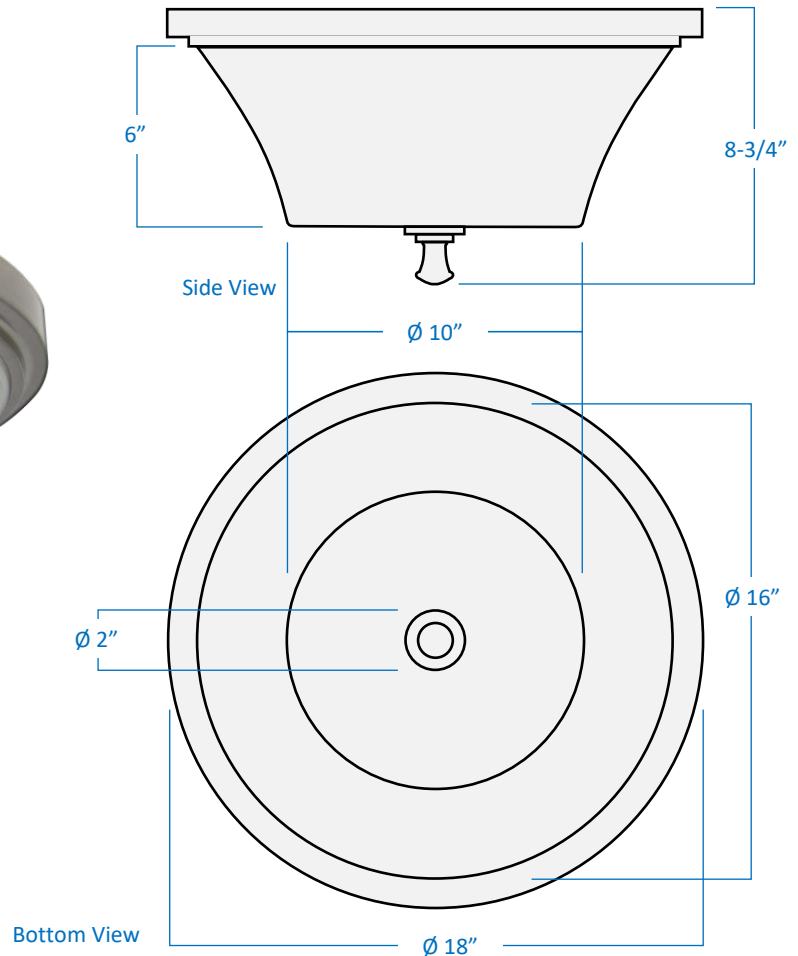
Date _____

Type _____

Location _____

Product Specifications

Description	Glacier Collection: Contemporary Style. Refined angles and opulent detailing come together in an exquisite combination of beauty and design.
Finish	Brushed Nickel
Shade	Clear and Sanded Glass
Dimensions	18" Diameter x 8-3/4" Height
Lamps	3 x LED A19 (E26 Medium Base) not Included
Certifications	cULus Listed CSA Certified
Features	120V 60Hz Ceiling mount only (hardware included)



GTA Office: 151 Aviva Park Drive, Woodbridge
Ottawa Office: 200 Iber Road, Unit 5, Stittsville

Tel: 905-669-1230
Tel: 613-836-1977

www.sanremolighting.com
© All rights reserved