

# 3-Light Semi-Flush Mount

Part Number

**A58043-CH**

**A58043-BN**

Finish

Chrome

Brushed Nickel

Project \_\_\_\_\_

Date \_\_\_\_\_

Type \_\_\_\_\_

Location \_\_\_\_\_

## Product Specifications

Description L'Aquila Collection: This semi-flush mount's refined design provides a sophisticated accent to any contemporary home décor.

Shade White opal glass with clear rim

Dimensions 14" Diameter x 10-1/4" Height

Lamps 3 x LED A19 (E26 Medium Base) not Included

Certifications cULus Listed | CSA Certified

Features 120V | 60Hz  
Ceiling mount only (hardware included)



Chrome



Brushed Nickel

**NO GLASS ASSEMBLY REQUIRED**



GTA Office: 151 Aviva Park Drive, Woodbridge  
Ottawa Office: 200 Iber Road, Unit 5, Stittsville

Tel: 905-669-1230  
Tel: 613-836-1977

www.sanremolighting.com  
© All rights reserved

# 3-Light Semi-Flush Mount

Part Number

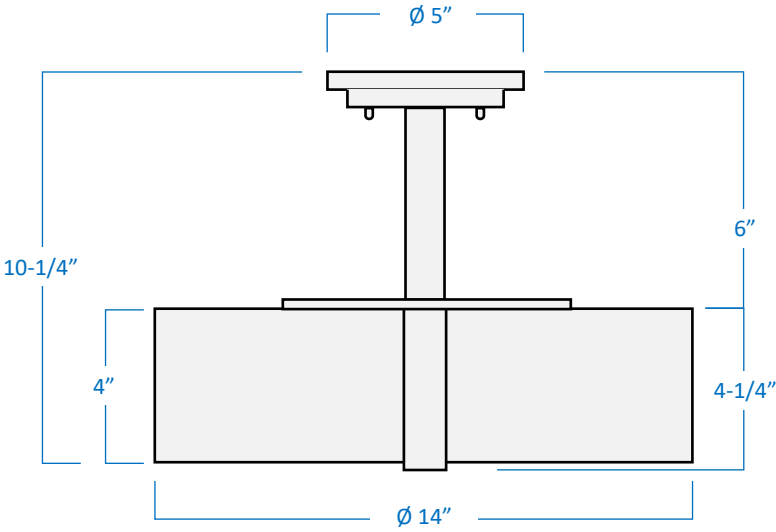
**A58043-CH**

**A58043-BN**

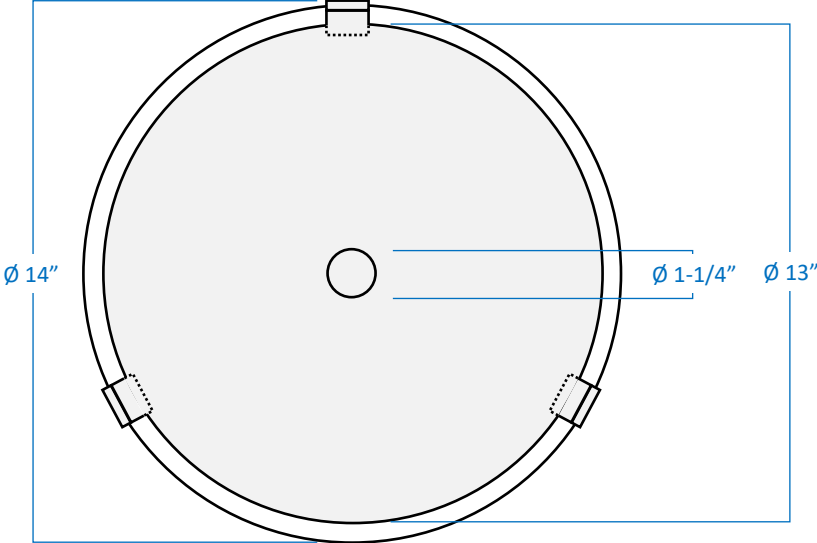
Finish

Chrome

Brushed Nickel



Side View



Bottom View



GTA Office: 151 Aviva Park Drive, Woodbridge  
Ottawa Office: 200 Iber Road, Unit 5, Stittsville

Tel: 905-669-1230  
Tel: 613-836-1977

www.sanremolighting.com  
© All rights reserved