

# Rough-in Plate (Plaster Frame)

Part Number

**PFH258R**

Project \_\_\_\_\_

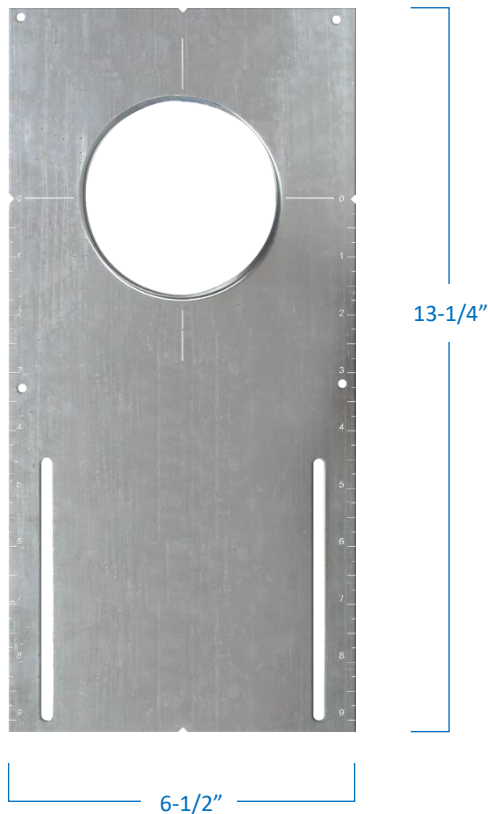
Date \_\_\_\_\_

Type \_\_\_\_\_

Location \_\_\_\_\_

## Product Specifications

Description	Standard Rough-in Plate
Finish	Galvanized Steel
Dimensions	6-1/2" Width x 13-1/4" Length
Cut Out	Ø 2-3/4" Diameter
Certifications	cULus or cETLus Listed
Features	For use with <b>Premier Electrical Products™</b>



Use with 3" Gimbal Downlight  
Sold Separately



AFR3G-0730-BN