

# Drum Flush Mount

Part Number

**A7213-BN**

Project \_\_\_\_\_

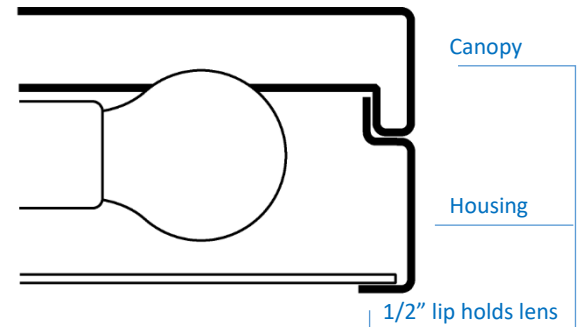
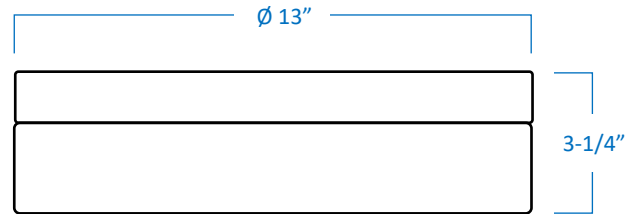
Date \_\_\_\_\_

Type \_\_\_\_\_

Location \_\_\_\_\_

## Product Specifications

Description	A sleek design that sends focused light downward. Ideal for kitchens, bathrooms, hallways and laundry rooms. Can be mixed and matched with other lighting styles.
Finish	Brushed Nickel
Construction	Smooth Metal Canopy & Housing
Lens	White Frosted Glass
Dimensions	13" Diameter x 3-1/4" Height
Lamps	2 x LED A19 (E26 Medium Base) Lamps not included
Certifications	cETLus Listed   CSA Certified
Features	120V   60Hz Ceiling mount only (hardware included)



Glass Lens

Two-piece assembly  
Housing twist locks into canopy  
1/2" lip to hold glass lens



GTA Office: 151 Aviva Park Drive, Woodbridge  
Ottawa Office: 200 Iber Road, Unit 5, Stittsville

Tel: 905-669-1230  
Tel: 613-836-1977

www.sanremolighting.com  
© All rights reserved