

1-Light Square Wall Sconce

Part Number

A1102S-BK

Project _____

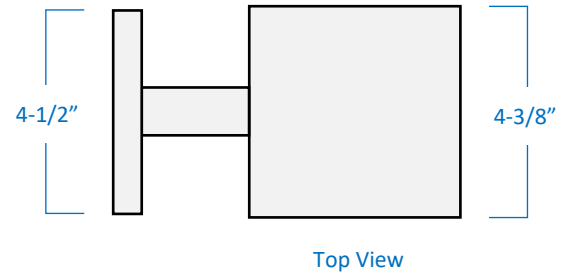
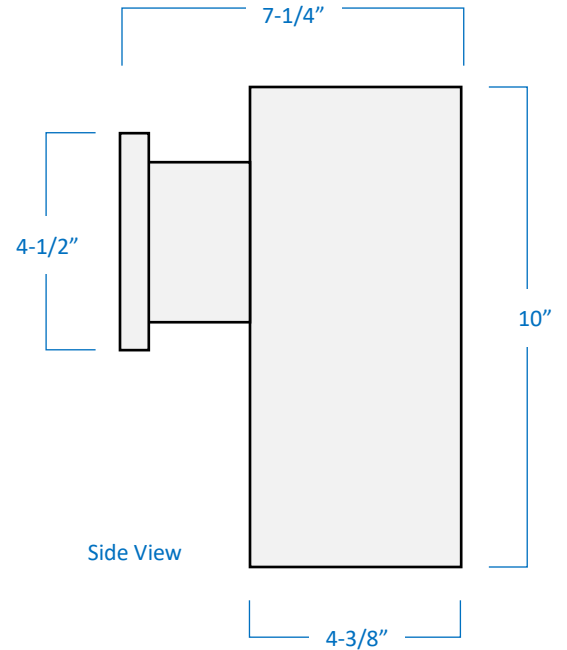
Date _____

Type _____

Location _____

Product Specifications

Description	1-Light square wall sconce Interior or exterior use Contemporary architectural design Downward lighting
Finish	Black
Construction	Durable die cast aluminum Sealed top, open bottom
Dimensions	4-1/2" Width x 10" Height x 7-1/4" Extension Box: 4-3/8" Square
Lamp	1 x LED (E26 Medium Base) not included
Certifications	cETLus Listed CSA Certified Suitable for wet locations
Features	120V 60Hz Vertical wall mount only (hardware included)



Head Office: 151 Aviva Park Drive, Woodbridge, ON L4L 9C1
Ottawa Office: 200 Iber Road, Unit 5, Stittsville, ON K2S 0L5

Tel: 905-669-1230
Tel: 613-836-1977

© SanRemoLighting.com
Toll Free: 1-800-903-1115