

2-Light Cylinder Wall Sconce

Part Number

A1003R-BK

Project _____

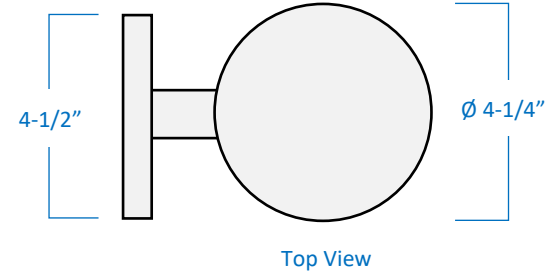
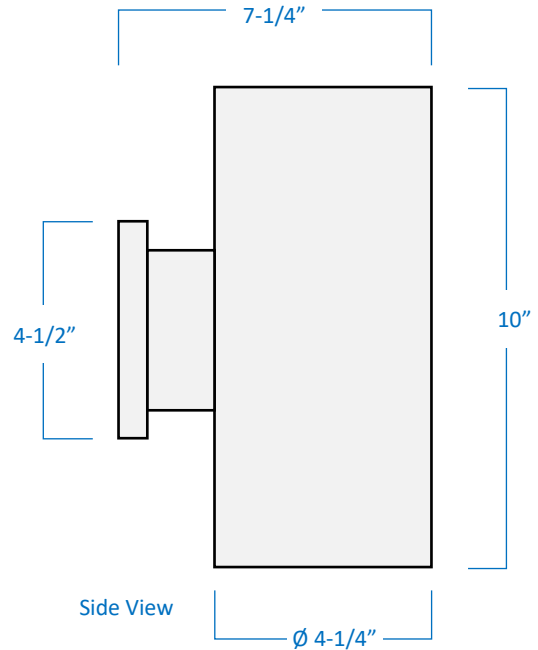
Date _____

Type _____

Location _____

Product Specifications

Description	2-Light cylinder wall sconce Interior or exterior use Contemporary architectural design Up-and-down lighting
Finish	Black
Construction	Durable die cast aluminum Clear glass lens on top and bottom
Dimensions	4-1/2" Width x 10" Height x 7-1/4" Extension Cylinder: 4-1/4" Diameter
Lamps	2 x LED PAR20 (E26 Medium Base) not included
Certifications	cETLus Listed CSA Certified Suitable for wet locations
Features	120V 60Hz Vertical wall mount only (hardware included)



Head Office: 151 Aviva Park Drive, Woodbridge, ON L4L 9C1
Ottawa Office: 200 Iber Road, Unit 5, Stittsville, ON K2S 0L5

Tel: 905-669-1230
Tel: 613-836-1977

© SanRemoLighting.com
Toll Free: 1-800-903-1115