

# 1-light Pendant

Project \_\_\_\_\_

Date \_\_\_\_\_

Type \_\_\_\_\_

Location \_\_\_\_\_

**Part Number**

**Finish**

**A59051-BN**

Brushed Nickel

**A59051-CH**

Chrome

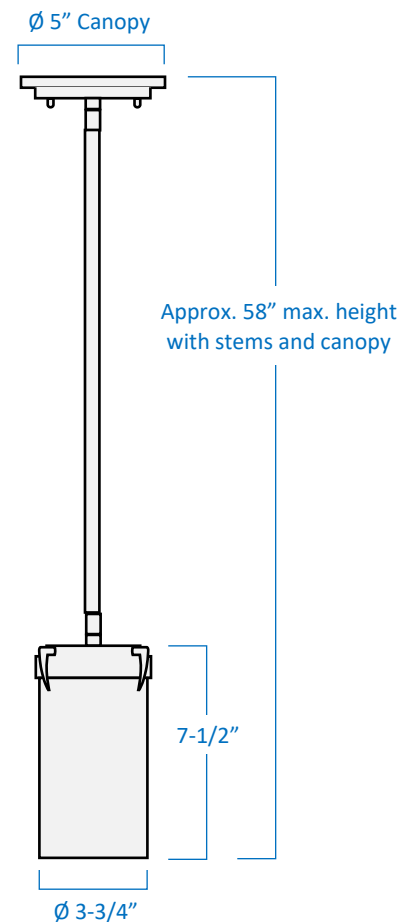
## Product Specifications

Description	1-Light mini-pendant with clean lines and striking details. Perfect for kitchen islands, entryways and workspaces (Raptor Collection)	
Shade	White frosted glass	
Dimensions	5" Diameter x 7-1/2" Height (Glass + Holder)	5" Diameter (Canopy)
	Includes 6"+6"+12"+12"+12" adjustable stems Approx. 58" max. height with stems and canopy	
Lamps	1 x LED A19 (E26 Medium Base) not Included	
Certifications	cULus Listed   CSA Certified	
Features	120V   60Hz   Ceiling mounting only (hardware included)	



Brushed Nickel

Chrome



GTA Office: 151 Aviva Park Drive, Woodbridge  
Ottawa Office: 200 Iber Road, Unit 5, Stittsville

Tel: 905-669-1230  
Tel: 613-836-1977

www.sanremolighting.com  
© All rights reserved