

# Integrated LED Exterior Wall Sconce

Part Number

**AL40455-BK**

Project \_\_\_\_\_

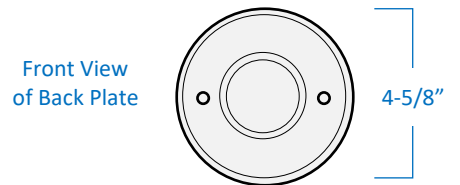
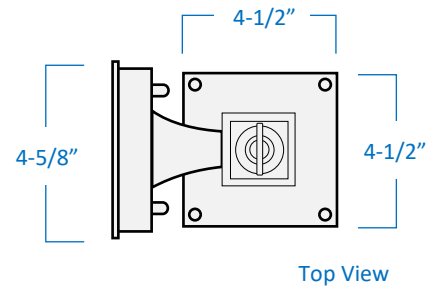
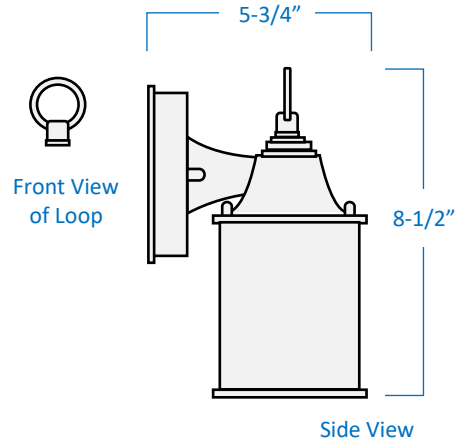
Date \_\_\_\_\_

Type \_\_\_\_\_

Location \_\_\_\_\_

## Product Specifications

Description	1-Light traditional style wall sconce Perfect for exterior ambient lighting
Finish	Black
Glass	Clear Beveled
Construction	Die Cast Aluminum
Dimensions	4-5/8" Width x 8-1/2" Height x 5-3/4" Extension
Light Source	6 Watts Integrated LED
Light Output	400 Lumens
Colour Temp.	3000 Kelvins (warm white)
Colour Rendering	> 80 CRI
Certifications	cETLus Listed   CSA Certified Suitable for wet locations
Features	120V   60Hz Wall mount only (hardware included)



GTA Office: 151 Aviva Park Drive, Woodbridge  
Ottawa Office: 200 Iber Road, Unit 5, Stittsville

Tel: 905-669-1230  
Tel: 613-836-1977

www.sanremolighting.com  
© All rights reserved