

# LED Under Cabinet Puck Lights

Project \_\_\_\_\_

Date \_\_\_\_\_

Type \_\_\_\_\_

Location \_\_\_\_\_

**Part Number**                      **Finish**

**CA360A-WH**                      White

**CA360A-NK**                      Nickel

**CA360A-BK**                      Black

## Product Specifications

Description	Integrated LED Round Puck Light
Wattage	3 Watts
Dimensions	Ø 2-3/4" Outer Diameter x 1" Height
Cutout:	Ø 2-3/8" Diameter
Light Source	1 x 3 Watt LED
Colour Temp.	3000 Kelvins (warm white)
Light Output	84 Lumens
Colour Rendering	≥ 82 CRI
Input Voltage	12V Line Voltage   60 Hz
Average Rated Life	Up to 25,000 Hours
Dim Capacity	Non-Dimmable
Listed	cETLus Listed   CSA Certified

- Features**
- For surface mounting or for recessed mounting
  - Link up to five LED Puck Lights
  - Easily extend cables to meet installation needs
  - Recommended class 2 hardwire junction box **HLD-18W** (sold separately)



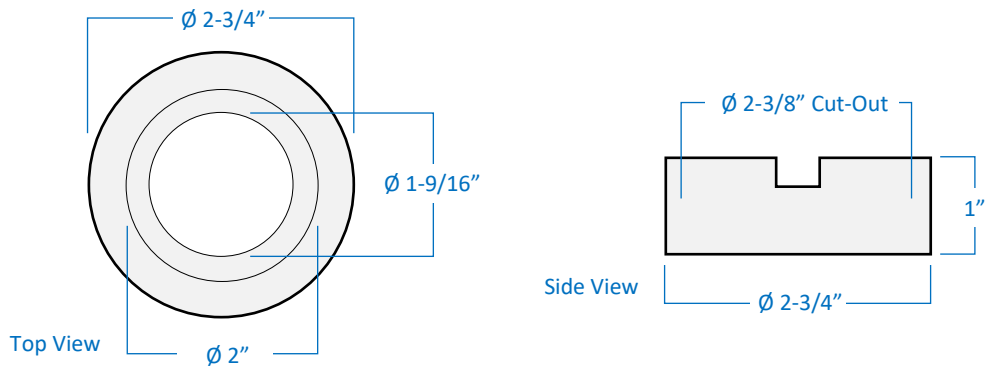
CA360A-WH



CA360A-NK



CA360A-BK



Head Office: 151 Aviva Park Drive, Woodbridge, ON L4L 9C1  
 Ottawa Office: 200 Iber Road, Unit 5, Stittsville, ON K2S 0L5

Tel: 905-669-1230  
 Tel: 613-836-1977

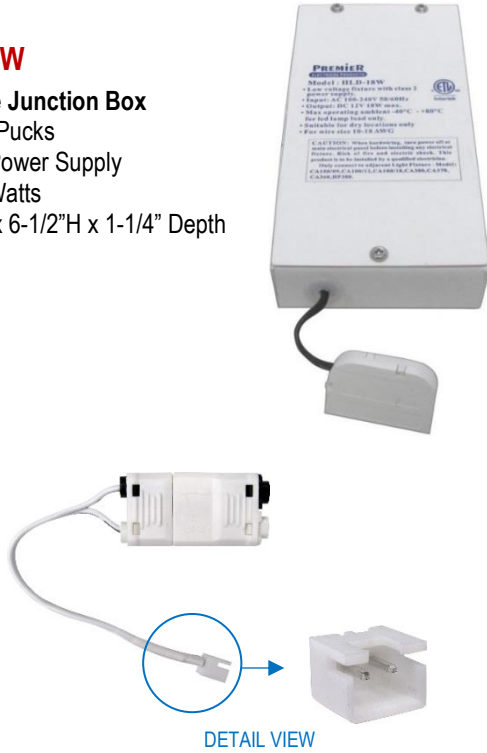
© SanRemoLighting.com  
 Toll Free: 1-800-903-1115

# LED Under Cabinet Puck Lights

## Accessories Below Sold Separately

### HLD-18W

**Hardwire Junction Box**  
For LED Pucks  
Class 2 Power Supply  
Max 18 Watts  
3-1/4"W x 6-1/2"H x 1-1/4" Depth

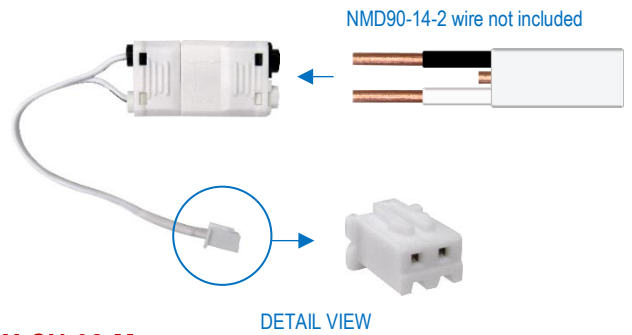


### CAX-CN-02-F

**2-Pole Splice Connector**  
4" Lead Wire  
Female Molex Connector  
White Finish

### Extension Cables for LED Pucks

**CAX48** 48" Cable  
**CAX72** 72" Cable  
**CAX96** 96" Cable



### CAX-CN-02-M

**2-Pole Splice Connector**  
4" Lead Wire  
Male Molex Connector  
White Finish