

2-Light Semi-Flush Mount

Part Number

A53042-BN

Project _____

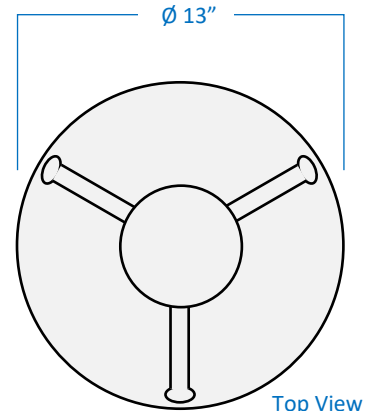
Date _____

Type _____

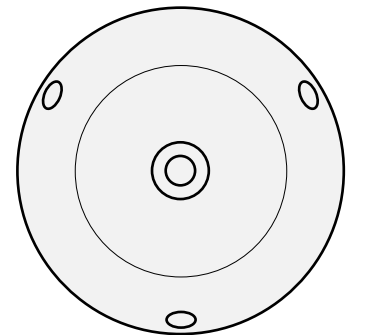
Location _____

Product Specifications

Description	Glacier Collection - Contemporary Style Refined angles and opulent detailing come together in an exquisite combination of beauty and design.
Finish	Brushed Nickel
Shade	Clear and Sanded Glass
Dimensions	13"Diameter x 11"Height
Lamps	2 x LED A19 (E26 Medium Base) not Included
Certifications	cETLus Listed CSA Certified
Features	120V 60Hz Ceiling mount only (hardware included)



Top View



Bottom View

