

# 2-Light Wall Sconce

Part Number

**WS16-BN**

Project \_\_\_\_\_

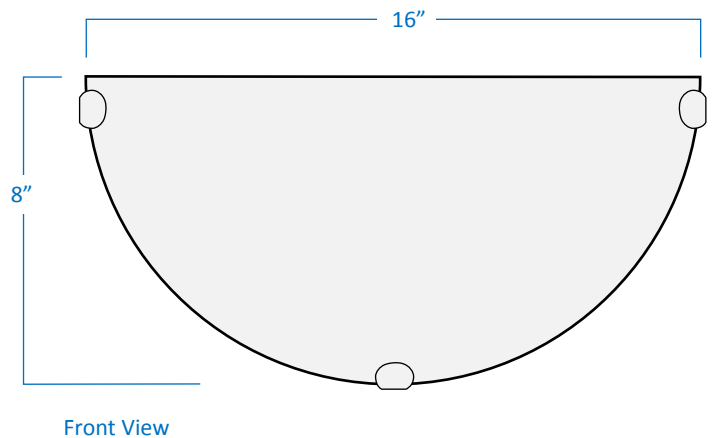
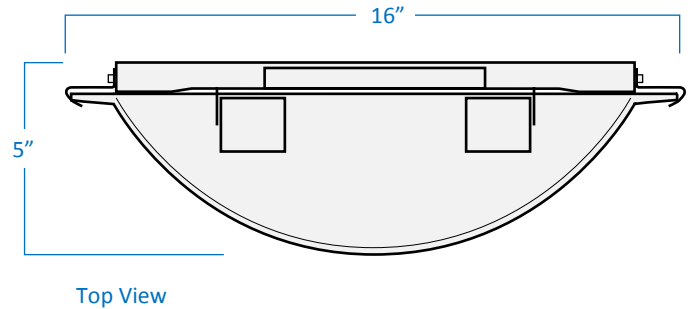
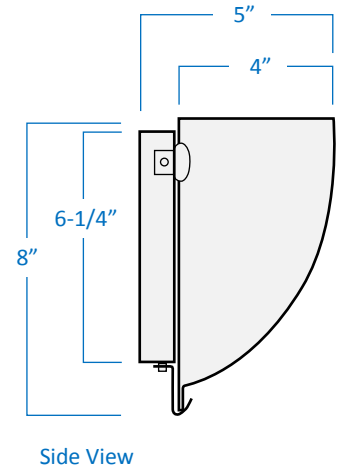
Date \_\_\_\_\_

Type \_\_\_\_\_

Location \_\_\_\_\_

## Product Specifications

Description	This 2-Light Wall Sconce features white alabaster glass in a classic style. Perfect for use in the bathroom, hallway, or, on an accent wall.
Finish	Brushed nickel clips
Shade	White alabaster glass
Dimensions	16"Width x 8"Height x 5"Extension
Lamps	2 x LED A19 (E26 Medium Base) not Included
Certifications	cULus Listed   CSA Certified
Features	120V   60Hz Wall mounting only (includes hardware)



GTA Office: 151 Aviva Park Drive, Woodbridge  
Ottawa Office: 200 Iber Road, Unit 5, Stittsville

Tel: 905-669-1230  
Tel: 613-836-1977

[www.sanremolighting.com](http://www.sanremolighting.com)  
© All rights reserved