

# 2-Light Vanity

Part Number

**A52012-7**

Project \_\_\_\_\_

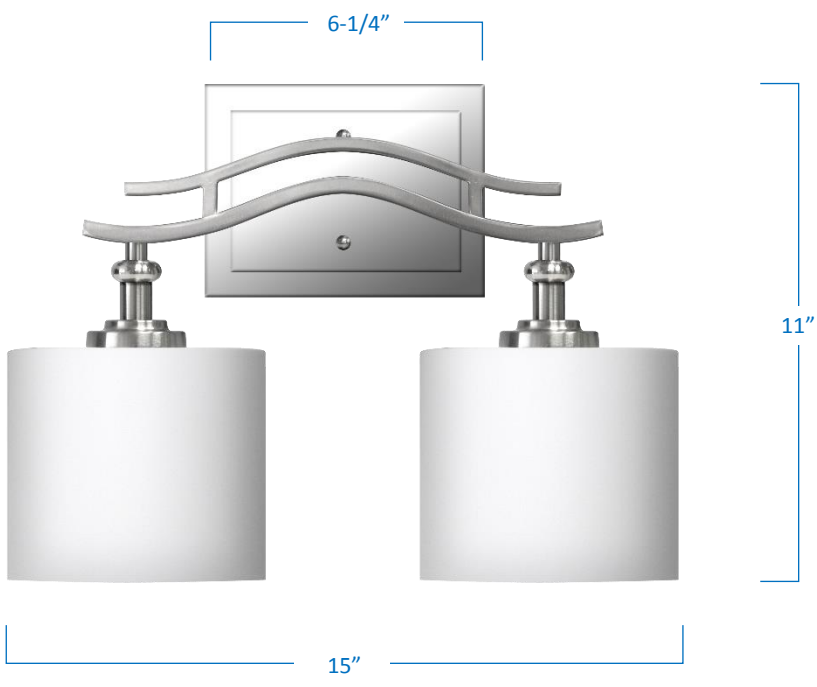
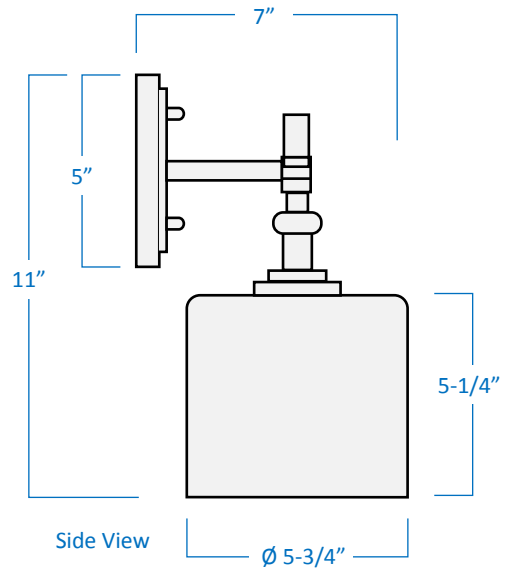
Date \_\_\_\_\_

Type \_\_\_\_\_

Location \_\_\_\_\_

## Product Specifications

Description	The visually strong lines and captivating curves of the Zen Collection's 2-Light Vanity is an outstanding choice for all interiors. Perfect for powder rooms and bathrooms.
Finish	Chrome
Shade	White Glass
Dimensions	15"Width x 11"Height x 7"Extension
Lamps	2 x LED A19 (E26 Medium Base) not Included
Certifications	cULus Listed   CSA Certified Suitable for damp locations
Features	120V   60Hz Wall mount only (hardware included) Can be installed with glass facing up or down



GTA Office: 151 Aviva Park Drive, Woodbridge  
Ottawa Office: 200 Iber Road, Unit 5, Stittsville

Tel: 905-669-1230  
Tel: 613-836-1977

www.sanremolighting.com  
© All rights reserved