

# 2-Light Wall Sconce

Part Number

**WS2082-CH**

Project \_\_\_\_\_

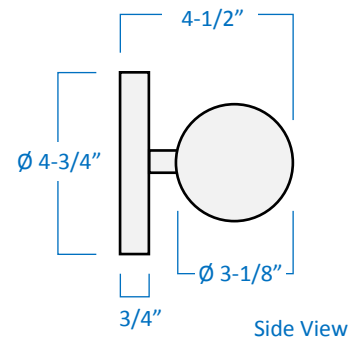
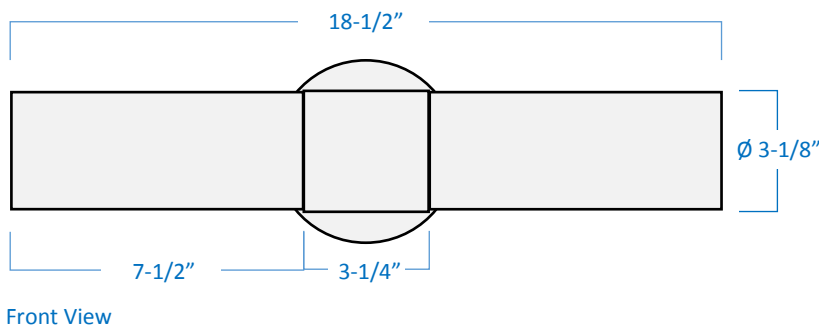
Date \_\_\_\_\_

Type \_\_\_\_\_

Location \_\_\_\_\_

## Product Specifications

Description	2-Light Wall Mounted Sconce
Finish	Chrome
Shade	White Frosted Glass (cylinder style)
Dimensions	18-1/2" Width x 4-3/4" Height (horizontal) x 4-1/2" Extension
Lamps	2 x LED (E26 Medium Base) not included
Certifications	cETLus Listed Certified to CSA standards Suitable for damp locations
Notes	120V   60Hz Mounts in horizontal or vertical position Wall mount only (hardware included)



Head Office: 151 Aviva Park Drive, Woodbridge, ON L4L 9C1  
Ottawa Office: 200 Iber Road, Unit 5, Stittsville, ON K2S 0L5

Tel: 905-669-1230  
Tel: 613-836-1977

© SanRemoLighting.com  
Toll Free: 1-800-903-1115

# Model: WS2082

## Installation Instructions: For Wall Mounted Luminaire

### Warning

- Risk of shock, do not turn on power before assembly.
- Light bulb cannot exceed the maximum wattage rating.
- Before you turn on power, please follow the instruction sheet.

### Installation

1. Install the plate (A) to the outlet box by the two screws (B).
2. Install the lamp body (C) onto the wall with the screws (D).
3. Slide the bulb (E) into the glass shade (F) so that it is visible from other end.
4. Screw the bulb into the socket (G) while holding the glass shade steady (F).
5. Attach the glass shade (F) to the steel bracket (H).
6. Repeat on opposing glass shade.

