

# 1-Light Wall Sconce

Part Number

**A14011-11**

Project \_\_\_\_\_

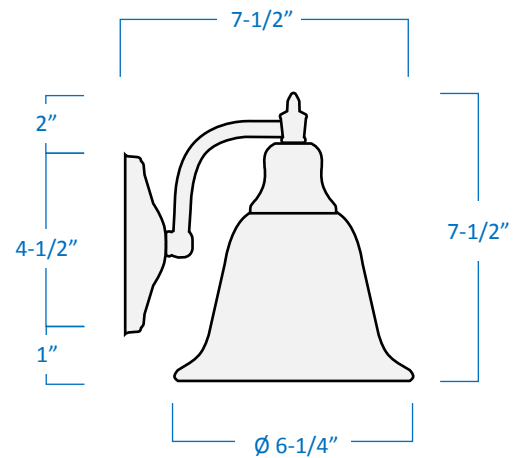
Date \_\_\_\_\_

Type \_\_\_\_\_

Location \_\_\_\_\_

## Product Specifications

Description	Designed for bath and powder rooms, this 1-Light Wall Sconce has an effortless and clean design. Can be mixed and matched with other lighting styles to complement a wide array of décor.
Finish	Brushed Nickel
Shade	White Alabaster Glass (bell style)
Dimensions	8"Width x 7-1/2"Height x 7-1/2"Extension
Lamps	1 x LED A19 (E26 Medium Base) not included
Certifications	cETLus Listed   CSA Certified Suitable for damp locations
Features	120V   60Hz Wall mount only (hardware included) Can be installed with glass facing up or down



Side View

Front View

