

# 2-Light Exterior Wall Lantern

Part Number

**A6120-BK**

Project \_\_\_\_\_

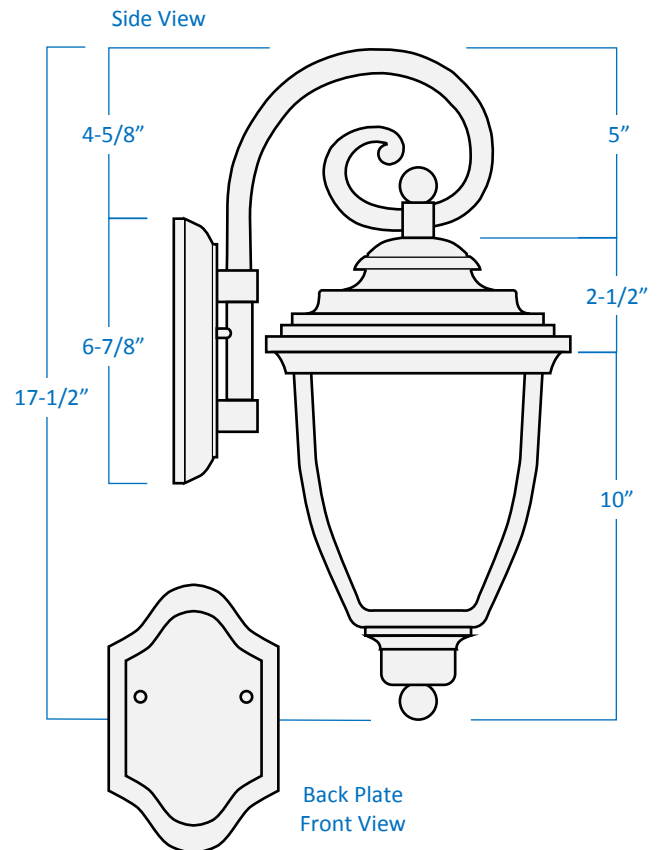
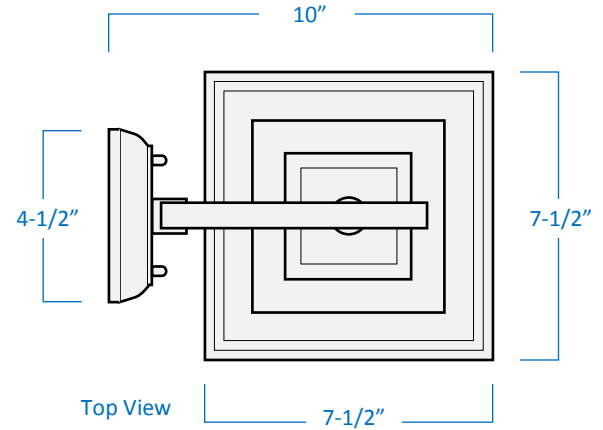
Date \_\_\_\_\_

Type \_\_\_\_\_

Location \_\_\_\_\_

## Product Specifications

Description	2-Light exterior traditional wall lantern Ambient lighting
Finish	Black
Construction	Die cast aluminum Clear seeded glass
Dimensions	7-1/2"Width x 17-1/2"Height x 10"Extension
Lamps	2 x LED B10 (E12 Candelabra Base) not included
Certifications	cETLus Listed   CSA Certified Suitable for wet locations
Features	120V   60Hz Wall mounting only (hardware Included)



GTA Office: 151 Aviva Park Drive, Woodbridge  
Ottawa Office: 200 Iber Road, Unit 5, Stittsville

Tel: 905-669-1230  
Tel: 613-836-1977

www.sanremolighting.com  
© All rights reserved