

2-Light Task Bar

Part Number

AT4215-BN

Project _____

Date _____

Type _____

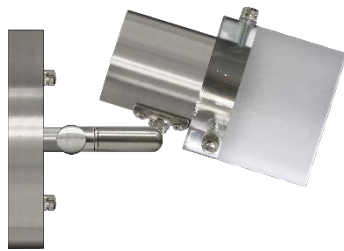
Location _____

Product Specifications

Description	This 2-Light Task Bar features contemporary two-toned glass and a sleek and versatile design to provide adjustable accent lighting to any room.
Finish	Brushed nickel
Shade	Clear and etched glass
Dimensions	15"Width x 5-3/4"Height x 6"Extension
Lamps	2 x LED A15 or PAR16 (E26 Medium Base) not Included
Certifications	cETLus Listed CSA Certified Suitable for damp locations
Features	120V 60Hz Ceiling or wall mount (includes hardware) Arms tilt approx. 90° & swivel approx. 350°



Side View



Side View with Tilt



Front View with Swivel



GTA Office: 151 Aviva Park Drive, Woodbridge
Ottawa Office: 200 Iber Road, Unit 5, Stittsville

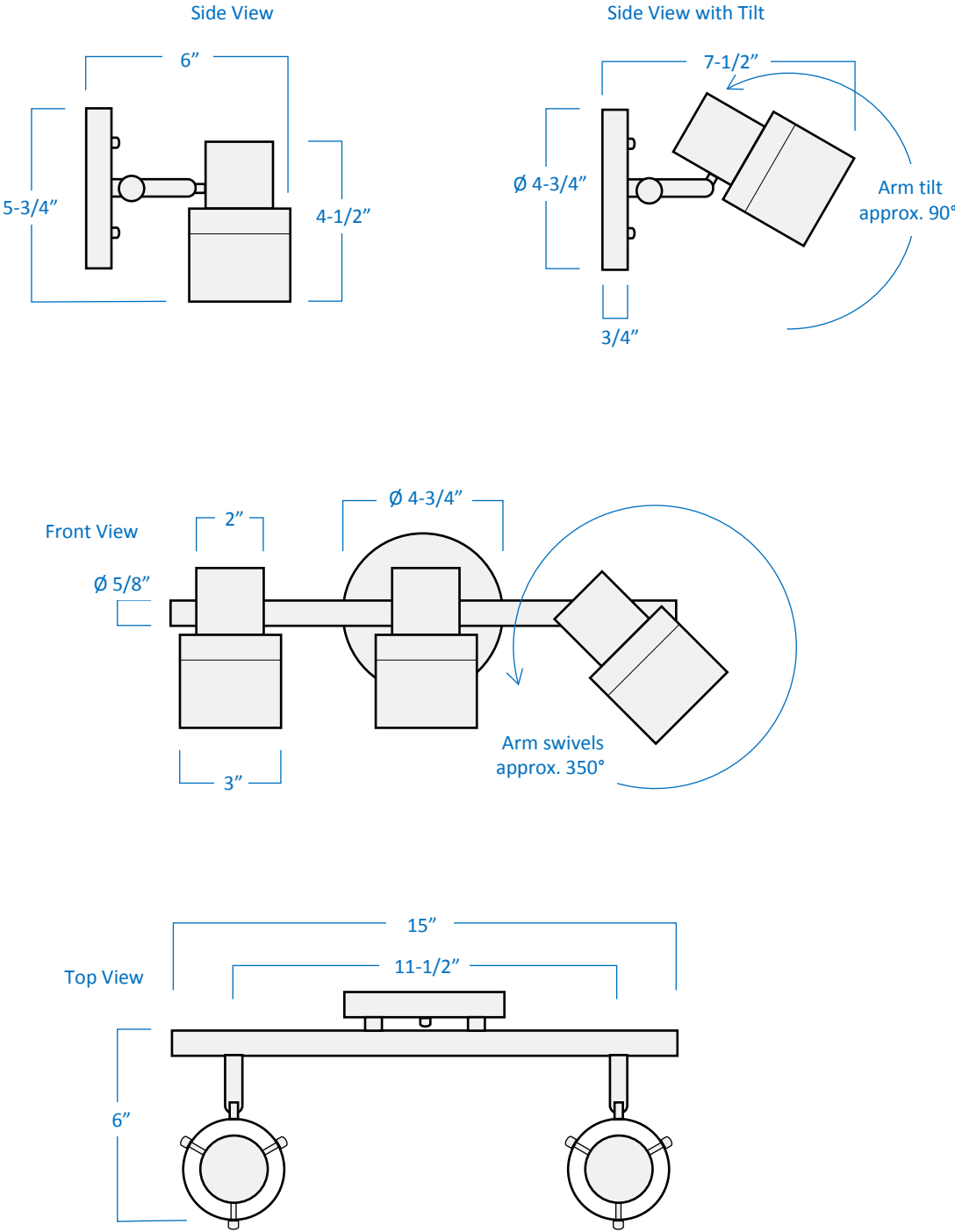
Tel: 905-669-1230
Tel: 613-836-1977

www.sanremolighting.com
© All rights reserved

2-Light Task Bar

Part Number

AT4215-BN



GTA Office: 151 Aviva Park Drive, Woodbridge
Ottawa Office: 200 Iber Road, Unit 5, Stittsville

Tel: 905-669-1230
Tel: 613-836-1977

www.sanremolighting.com
© All rights reserved