

5-Light Chandelier

Project _____

Date _____

Type _____

Location _____

Part Number

Finish

A51065-BN

Brushed Nickel

A51065-CH

Chrome

Product Specifications

Description Distinguished by its crisp, modern elements, the Rhythm Collection 5-Light Chandelier sports an enhanced white glass shade and highly polished design to provide a sophisticated accent to any home décor. Perfect for dining areas.

Shade White glass

Dimensions 26" Diameter x 20-1/2" Height (Includes approx. 72" chain)
Approx. 94-1/2" Max. Height with chain and canopy

Lamps 5 x LED A19 (E26 Medium Base) not Included

Certifications cULus Listed | CSA Certified

Features 120V | 60Hz
Ceiling mounting only (hardware included)



GTA Office: 151 Aviva Park Drive, Woodbridge
Ottawa Office: 200 Iber Road, Unit 5, Stittsville

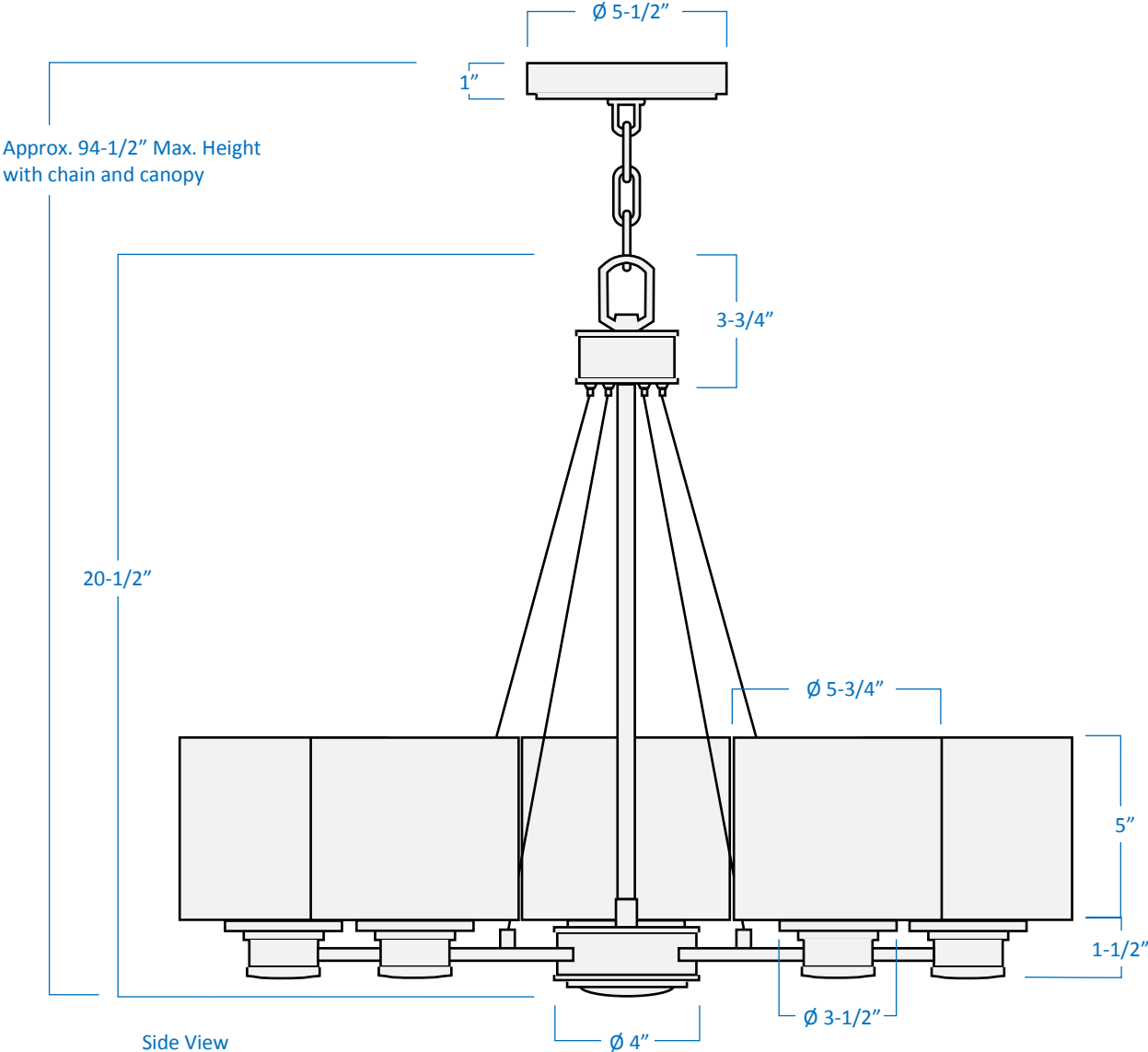
Tel: 905-669-1230
Tel: 613-836-1977

www.sanremolighting.com
© All rights reserved

5-Light Chandelier

Part Number Finish
A51065-BN Brushed Nickel
A51065-CH Chrome

Project _____
 Date _____
 Type _____
 Location _____



GTA Office: 151 Aviva Park Drive, Woodbridge
 Ottawa Office: 200 Iber Road, Unit 5, Stittsville

Tel: 905-669-1230
 Tel: 613-836-1977

www.sanremolighting.com
 © All rights reserved

5-Light Chandelier

Part Number

A51065-BN

A51065-CH

Finish

Brushed Nickel

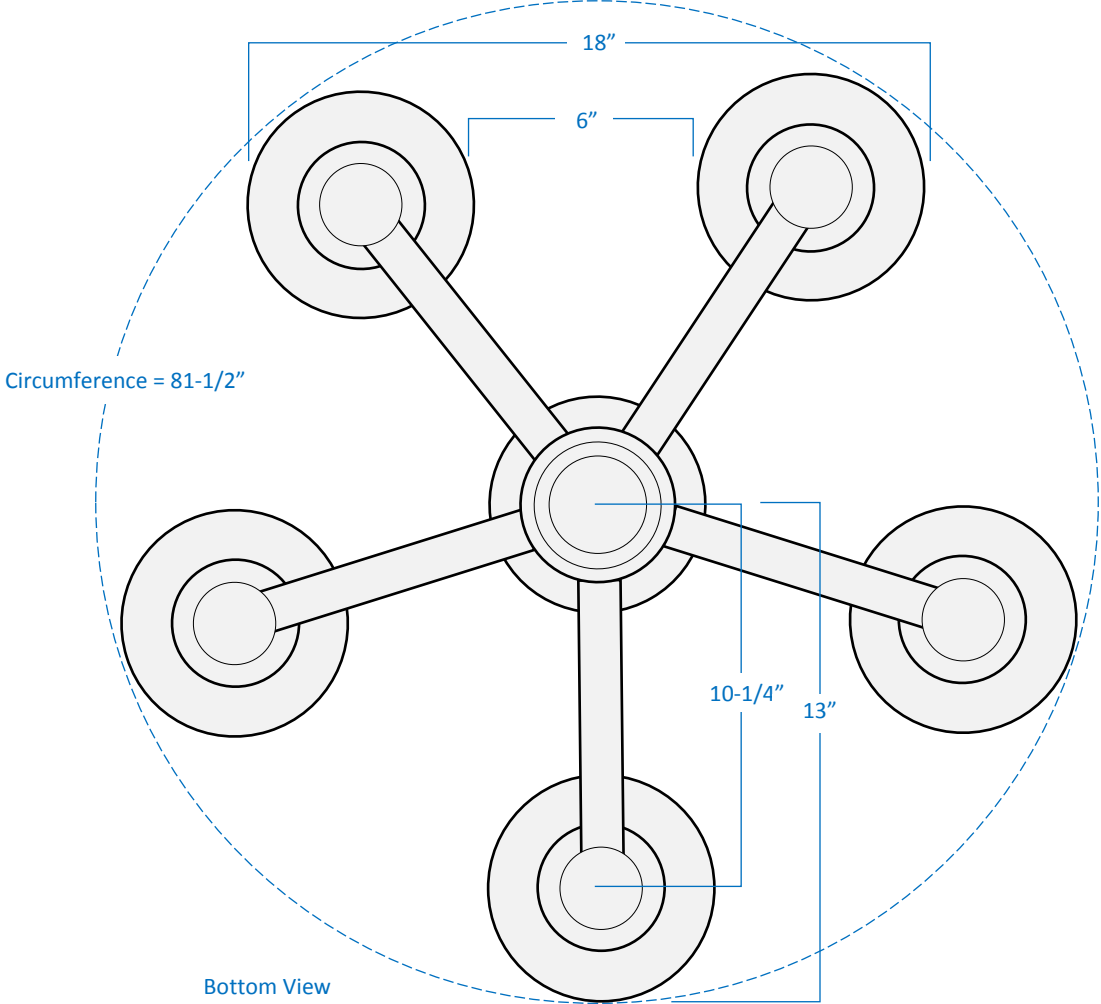
Chrome

Project _____

Date _____

Type _____

Location _____



GTA Office: 151 Aviva Park Drive, Woodbridge
Ottawa Office: 200 Iber Road, Unit 5, Stittsville

Tel: 905-669-1230
Tel: 613-836-1977

www.sanremolighting.com
© All rights reserved