

3-Light Task Bar

Project _____

Date _____

Type _____

Location _____

Part Number

Finish

A51023-BN

Brushed Nickel

A51023-CH

Chrome

Product Specifications

Description Distinguished by its crisp, modern elements, the Rhythm Collection 3-Light Task Bar sports an enhanced white glass shade and highly polished design to provide adjustable accent lighting.

Shade White Glass

Dimensions 26" Width x 10-1/4" Height/Extension

Lamps 3 x LED A15 (E26 Medium Base) not included

Certifications cULus Listed | CSA Certified
Suitable for damp locations

Features 120V | 60Hz
Ceiling or wall mount (hardware included)
Arms tilt approx. 180° & swivel approx. 350°



GTA Office: 151 Aviva Park Drive, Woodbridge
Ottawa Office: 200 Iber Road, Unit 5, Stittsville

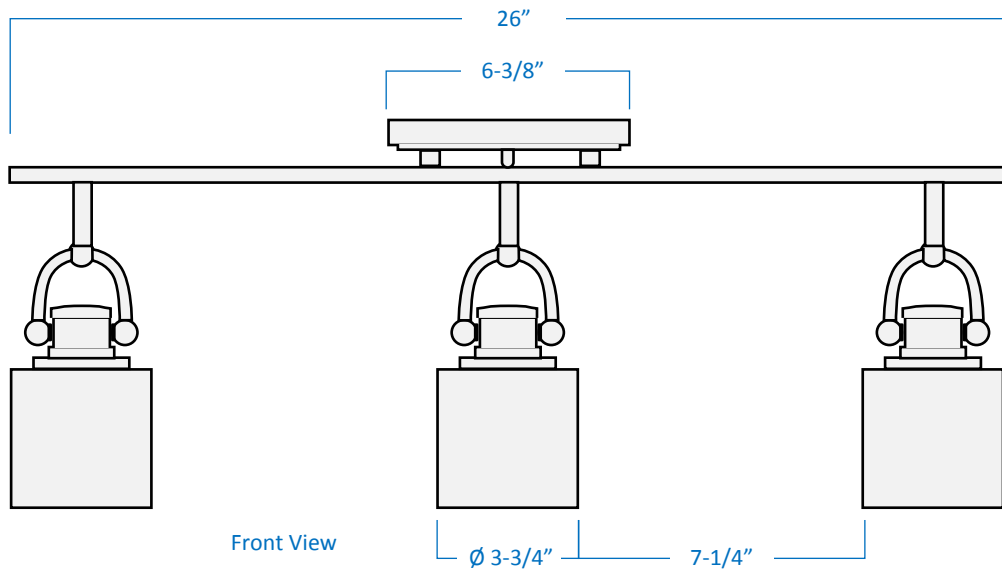
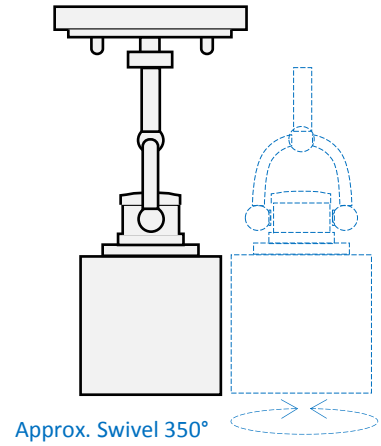
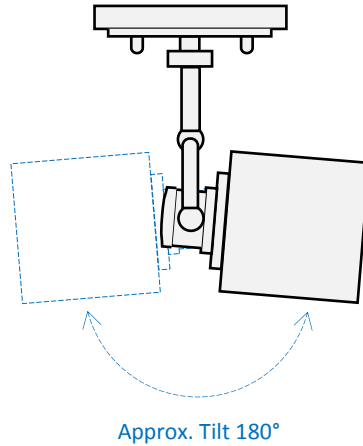
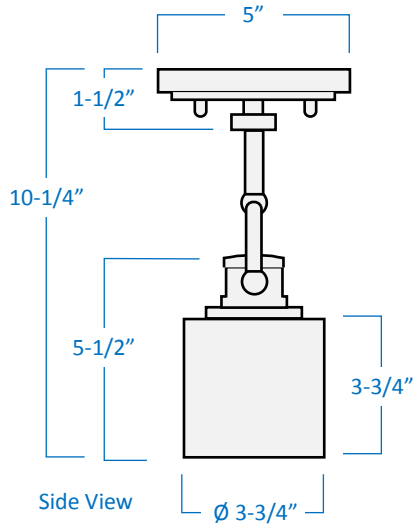
Tel: 905-669-1230
Tel: 613-836-1977

www.sanremolighting.com
© All rights reserved

3-Light Task Bar

Part Number Finish
A51023-BN Brushed Nickel
A51023-CH Chrome

Project _____
 Date _____
 Type _____
 Location _____



GTA Office: 151 Aviva Park Drive, Woodbridge
 Ottawa Office: 200 Iber Road, Unit 5, Stittsville

Tel: 905-669-1230
 Tel: 613-836-1977

www.sanremolighting.com
 © All rights reserved