

3-Light Vanity

Project _____

Date _____

Type _____

Location _____

Part Number

Finish

A51013-BN

Brushed Nickel

A51013-CH

Chrome

Product Specifications

Description Distinguished by its crisp, modern elements, the Rhythm Collection 3-light vanity sports an enhanced white glass shade and highly polished design to provide a sophisticated accent to your bathroom décor.

Shade White Glass

Dimensions 23-3/4" Width x 8" Height x 7-1/2" Extension

Lamps 3 x LED A19 (E26 Medium Base) not included

Certifications cULus Listed | CSA Certified
Suitable for damp locations

Features 120V | 60Hz
Wall mount only (hardware included)
Can be installed with glass facing up or down



Brushed Nickel



Chrome



GTA Office: 151 Aviva Park Drive, Woodbridge
Ottawa Office: 200 Iber Road, Unit 5, Stittsville

Tel: 905-669-1230
Tel: 613-836-1977

www.sanremolighting.com
© All rights reserved

3-Light Vanity

Part Number

A51013-BN

A51013-CH

Finish

Brushed Nickel

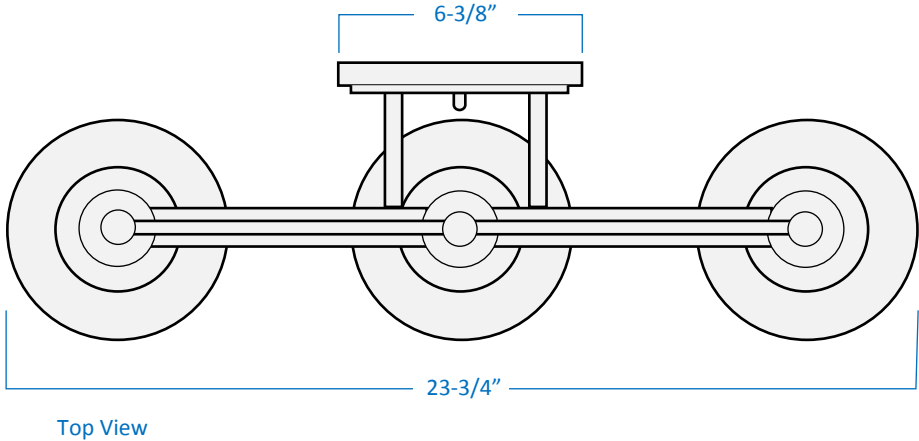
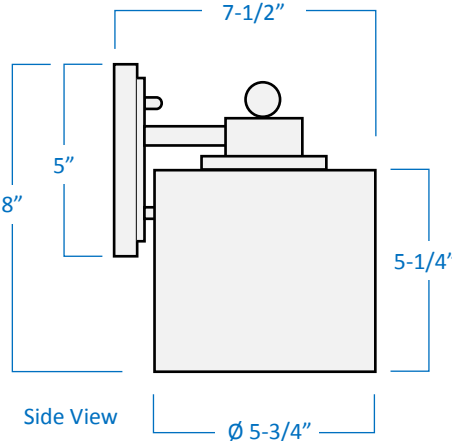
Chrome

Project _____

Date _____

Type _____

Location _____



GTA Office: 151 Aviva Park Drive, Woodbridge
Ottawa Office: 200 Iber Road, Unit 5, Stittsville

Tel: 905-669-1230
Tel: 613-836-1977

www.sanremolighting.com
© All rights reserved