

# 1-Light Wall Sconce

Part Number

**A16011-11**

Project \_\_\_\_\_

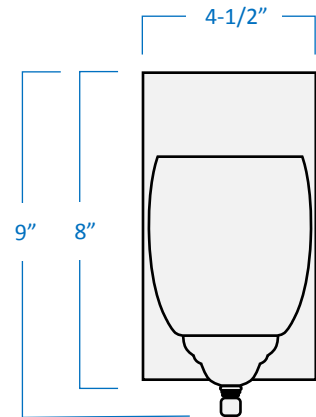
Date \_\_\_\_\_

Type \_\_\_\_\_

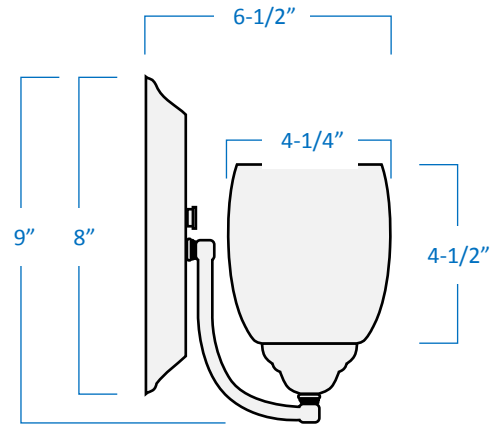
Location \_\_\_\_\_

## Product Specifications

Description	1-Light wall sconce is perfect for accent lighting, enhancing any room, entry way, hallway area or bathroom vanity.
Finish	Brushed Nickel
Shade	Matte White Glass
Dimensions	4-1/2" Width x 9" Height x 6-1/2" Extension
Lamps	1 x LED A19 (E26 Medium Base) not included
Certifications	cETLus Listed   CSA Certified
Features	120V   60Hz Wall mounting only (hardware included) Can be installed with glass facing up or down



Front View



Side View



GTA Office: 151 Aviva Park Drive, Woodbridge  
Ottawa Office: 200 Iber Road, Unit 5, Stittsville

Tel: 905-669-1230  
Tel: 613-836-1977

www.sanremolighting.com  
© All rights reserved