

# 1-Light Exterior Hanging Lantern

Project \_\_\_\_\_

Date \_\_\_\_\_

Type \_\_\_\_\_

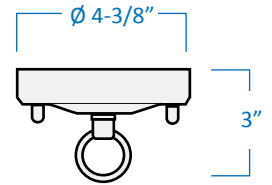
Location \_\_\_\_\_

Part Number

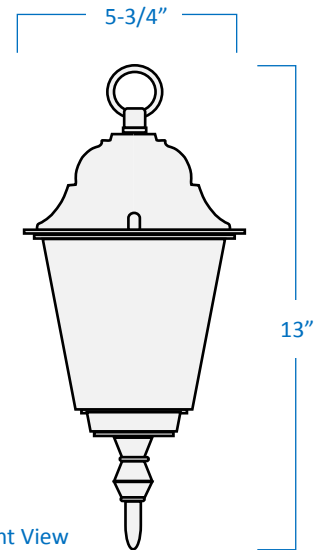
**A1012-6**

## Product Specifications

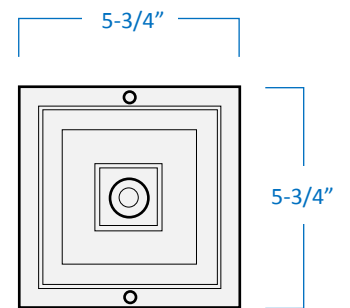
Description	1-Light traditional hanging lantern Exterior use Ambient lighting
Finish	Black
Construction	Durable die cast aluminum Clear beveled glass
Dimensions	5-3/4" Width x 5-3/4" Length x 13" Height
Lamps	1 x LED A19 (E26 Medium Base) not included
Certifications	cETLus Listed   CSA Certified Suitable for wet locations
Features	120V   60Hz Ceiling mounting only Adjustable chain Mounting hardware included



Canopy Front View



Front View



Top View



GTA Office: 151 Aviva Park Drive, Woodbridge  
Ottawa Office: 200 Iber Road, Unit 5, Stittsville

Tel: 905-669-1230  
Tel: 613-836-1977

www.sanremolighting.com  
© All rights reserved