

Exterior LED Security Lighting

Project _____

Date _____

Type _____

Location _____

Part Number

AL9200-40-BK

Product Specifications

Description	Dual-head motion-activated LED security lighting Durable die cast aluminum construction
Finish	Black
Dimensions	9"Width x 7"Height x 8"Extension Adjustable lamp heads & sensor control
Lamp Heads	Two integrated LED lamps
Wattage	24 Watts
Colour Temp.	4000 Kelvins (cool white)
Brightness	1,600 Lumens
Rated Lamp Life	Up to 50,000 hours
Motion Detection	180° (distance up to 65 feet / 20 meters)
Time Delay	Adjustable from approx. 10 seconds to 7 minutes
Operating Temp	-25°C to 40°C (-13°F to 104°F)
Certifications	cETLus Listed Certified to CSA standards Suitable for damp locations
Features	120V 60Hz Wall mounting hardware included



Adjustable lamp heads and motion sensor
tilt and pivot to various degrees



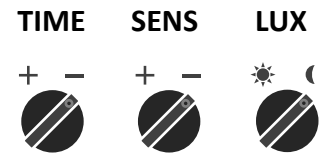
GTA Office: 151 Aviva Park Drive, Woodbridge
Ottawa Office: 200 Iber Road, Unit 5, Stittsville

Tel: 905-669-1230
Tel: 613-836-1977

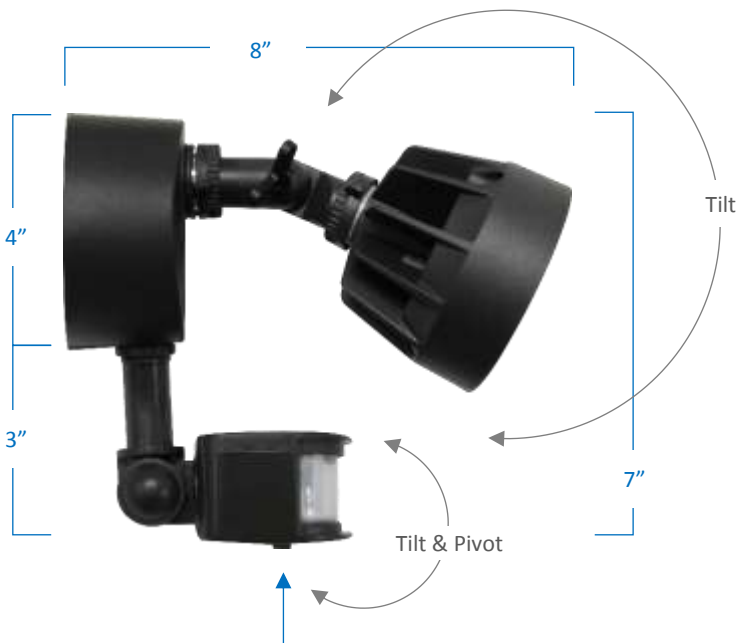
www.sanremolighting.com
© All rights reserved

Motion Sensor Functions

AL9200-40-BK

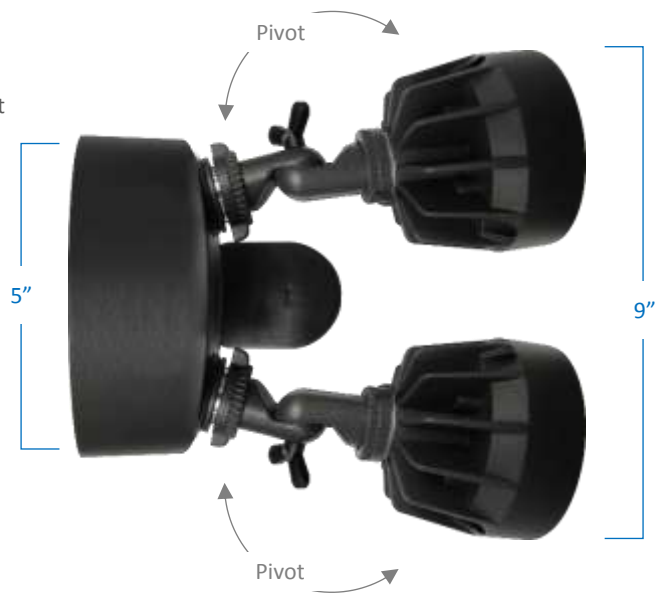


Function	Knob Setting	Result
Activation: Once the fixture is energized, it will take 10 seconds for the motion sensor to activate		
TIME	Set to + symbol	Light remains ON for up to 7 minutes
	Set to - symbol	Light remains ON for minimum of 10 seconds
SENS	Set to + symbol	Detects motion up to 65 feet (20 meters) in distance
	Set to - symbol	Detects motion starting at 6.5 feet (2 meters) in distance
LUX	Set to sun symbol	During day time , light will turn ON when sensing motion
	Set to moon symbol	During night time , light will turn ON when sensing motion



Motion sensor function dials located under sensor

Side View



Top View



GTA Office: 151 Aviva Park Drive, Woodbridge
Ottawa Office: 200 Iber Road, Unit 5, Stittsville

Tel: 905-669-1230
Tel: 613-836-1977

www.sanremolighting.com
© All rights reserved