

2-Light Square Wall Sconce

Part Number

A1103S-BK

Project _____

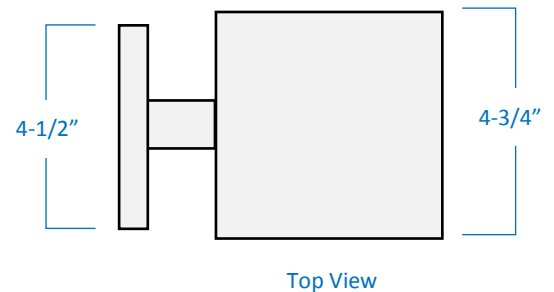
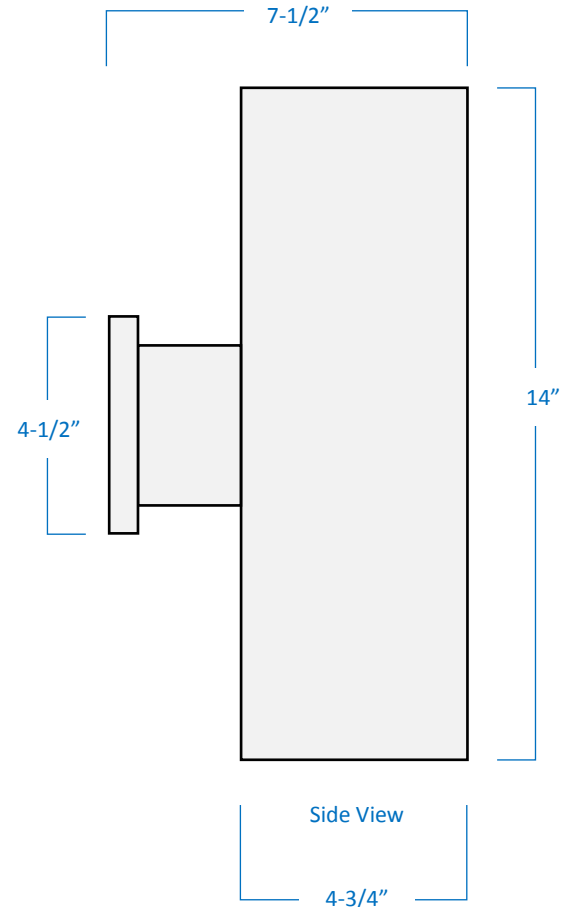
Date _____

Type _____

Location _____

Product Specifications

| | |
|----------------|--|
| Description | 2-Light square wall sconce Interior or exterior use Contemporary architectural design Up-and-down lighting |
| Finish | Black |
| Construction | Durable die cast aluminum Clear glass lens on top; Open on bottom |
| Dimensions | 4-3/4"Width x 14"Height x 7-1/2"Extension |
| Certifications | cETLus Listed Certified to CSA standards Suitable for wet locations |
| Lamp | 2 x LED (E26 Medium Base) not included |
| Notes | <ul style="list-style-type: none">▪ 120V 60Hz▪ Vertical wall mounting only▪ Mounting hardware included |



Head Office: 151 Aviva Park Drive, Woodbridge, ON L4L 9C1
Ottawa Office: 200 Iber Road, Unit 5, Stittsville, ON K2S 0L5

Tel: 905-669-1230
Tel: 613-836-1977

© SanRemoLighting.com
Toll Free: 1-800-903-1115