

# 2-Light Cylinder Wall Sconce

Part Number

**A1003R-BK**

Project \_\_\_\_\_

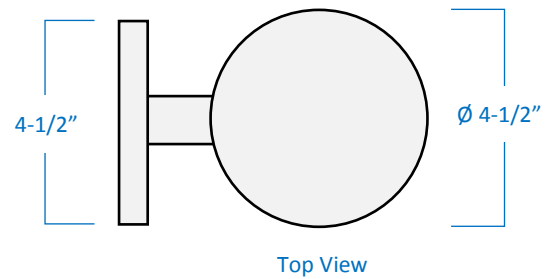
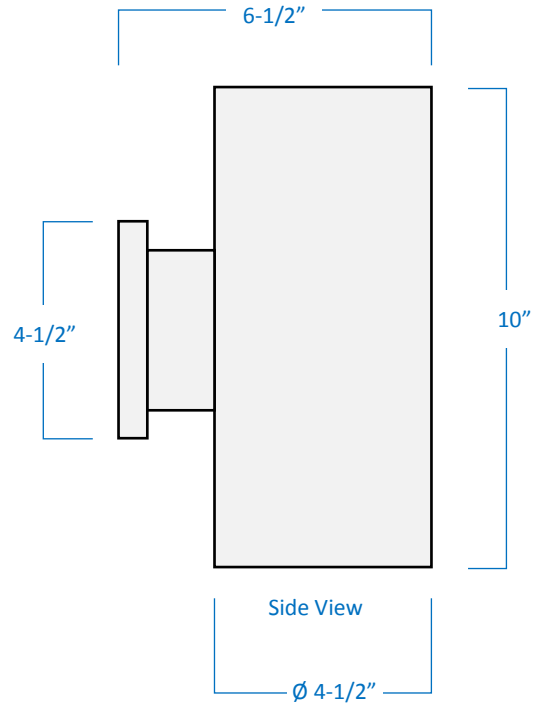
Date \_\_\_\_\_

Type \_\_\_\_\_

Location \_\_\_\_\_

## Product Specifications

|                |  |
|----------------|--|
| Description    | 2-Light cylinder wall sconce<br>Interior or exterior use<br>Contemporary architectural design<br>Up-and-down lighting                    |
| Finish         | Black  |
| Construction   | Durable die cast aluminum<br>Clear glass lens on top and bottom  |
| Dimensions     | 4-1/2"Width x 10"Height x 6-1/2"Extension  |
| Certifications | cETLus Listed<br>Certified to CSA standards<br>Suitable for wet locations  |
| Lamp           | 2 x LED PAR20 (E26 Medium Base) not included   |
| Notes          | <ul style="list-style-type: none"><li>▪ 120V   60Hz</li><li>▪ Vertical wall mounting only</li><li>▪ Mounting hardware included</li></ul> |



Head Office: 151 Aviva Park Drive, Woodbridge, ON L4L 9C1  
Ottawa Office: 200 Iber Road, Unit 5, Stittsville, ON K2S 0L5

Tel: 905-669-1230  
Tel: 613-836-1977

© SanRemoLighting.com  
Toll Free: 1-800-903-1115